

TEAC®

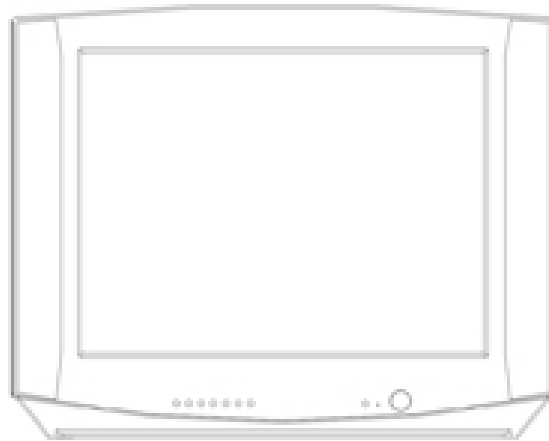
SERVICE MANUAL

CTF6870S

68CM CTV

TEAC

SERVICE MANUAL



CT-F6870S

1. Caution.....	2
2. Specification.....	6
3. BOM List	13
4. Alignment Procedure.....	36
5. Block Diagram.....	42
6. Schematic Diagram.....	43
7. PCB Layout.....	44
8. Exploded View Diagram	Temporary Absence

This manual is the latest at the time of printing, and does not include the modification which may be made after the printing, by the constant improvement of product.

CAUTION:

Use of controls, adjustments or procedures other than those specified herein may result in hazardous radiation exposure.



CAUTION
RISK OF ELECTRIC SHOCK DO NOT OPEN.



CAUTION: TO REDUCE THE RISK OF ELECTRICAL SHOCK, DO NOT REMOVE COVER (OR BACK). NO USER SERVICEABLE PARTS INSIDE. REFER SERVICING TO QUALIFIED SERVICE PERSONNEL.



The lightning flash with arrowhead symbol, with an equilateral triangle is intended to alert the user to the presence of uninsulated “dangerous voltage” within the product’s enclosure that may be of sufficient magnitude to constitute a risk of electric shock to the person.



The exclamation point within an equilateral triangle is intended to alert the user to the presence of important operating and maintenance (servicing) instructions in the literature accompanying the appliance.

WARNING: TO REDUCE RISK OF FIRE OR ELECTRIC SHOCK, DO NOT EXPOSE THIS APPLIANCE TO RAIN OR MOISTURE.

IMPORTANT SAFETY INSTRUCTIONS

CAUTION:

Read all of these instructions. Save these instructions for later use. Follow all Warnings and Instructions marked on the audio equipment.

1. Read Instructions- All the safety and operating instructions should be read before the product is operated.
2. Retain Instructions- The safety and operating instructions should be retained for future reference.
3. Heed Warnings- All warnings on the product and in the operating instructions should be adhered to.
4. Follow Instructions- All operating and use instructions should be followed.

FOR YOUR PERSONAL SAFETY

1. When the power cord or plug is damaged or frayed, unplug this television set from the wall outlet and refer servicing to qualified service personnel.
2. Do not overload wall outlets and extension cords as this can result in fire or electric shock.
3. Do not allow anything to rest on or roll over the power cord, and do not place the TV where power cord is subject to traffic or abuse. This may result in a shock or fire hazard.
4. Do not attempt to service this television set yourself as opening or removing covers may expose you to dangerous voltage or other hazards. Refer all servicing to qualified service personnel.
5. Never push objects of any kind into this television set through cabinet slots as they may touch dangerous voltage points or short out parts that could result in a fire or electric shock. Never spill liquid of any kind on the television set.
6. If the television set has been dropped or the cabinet has been damaged, unplug this television set from the wall outlet and refer servicing to qualified service personnel.
7. If liquid has been spilled into the television set, unplug this television set from the wall outlet and refer servicing to qualified service personnel.
8. Do not subject your television set to impact of any kind. Be particularly careful not to damage the picture tube surface.
9. Unplug this television set from the wall outlet before cleaning. Do not use liquid cleaners or aerosol cleaners. Use a damp cloth for cleaning.
- 10.1. Do not place this television set on an unstable cart, stand, or table. The television set may fall, causing serious injury to a child or an adult, and serious damage to the appliance. Use only with a cart or stand recommended by the manufacturer, or sold with the television set. Wall or shelf mounting should follow the manufacturer's instructions, and should use a mounting kit approved by the manufacturer.
- 10.2. An appliance and cart combination should be moved with care. Quick stops, excessive force, and uneven surfaces may cause the appliance and cart combination to overturn.



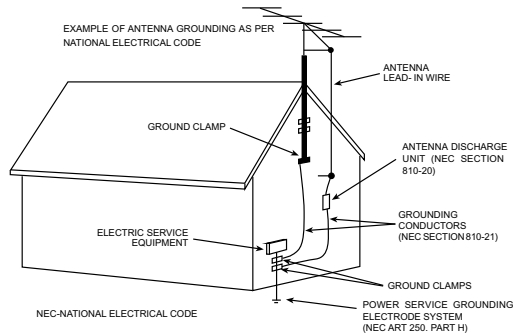
PROTECTION AND LOCATION OF YOUR SET

11. • Do not use this television set near water ... for example, near a bathtub, washbowl, kitchen sink, or laundry tub, in a wet basement, or near a swimming pool, etc.
 - Never expose the set to rain or water. If the set has been exposed to rain or water, unplug the set from the wall outlet and refer servicing to qualified service personnel.
12. Choose a place where light (artificial or sunlight) does not shine directly on the screen.
13. Avoid dusty places, since piling up of dust inside TV chassis may cause failure of the set when high humidity persists.
14. The set has slots, or openings in the cabinet for ventilation purposes, to provide reliable operation of the receiver, to protect it from overheating. These openings must not be blocked or covered.
 - Never cover the slots or openings with cloth or other material.
 - Never block the bottom ventilation slots of the set by placing it on a bed, sofa, rug, etc.
 - Never place the set near or over a radiator or heat register.
 - Never place the set in a "built-in" enclosure, unless proper ventilation is provided.

PROTECTION AND LOCATION OF YOUR SET

- 15.1. If an outside antenna is connected to the television set, be sure the antenna system is grounded so as to provide some protection against voltage surges and built up static charges, Section 810 of the National Electrical Code, NFPA No. 70-1975, provides information with respect to proper grounding of the mast and supporting structure, grounding of the lead-in wire to an antenna discharge unit, size of grounding conductors, location of antenna discharge unit, connection to grounding electrode, and requirements for the grounding electrode.

EXAMPLE OF ANTENNA GROUNDING AS PER NATIONAL ELECTRICAL CODE INSTRUCTIONS



- 15.2. Note to CATV system installer : (Only for the television set with CATV reception)

This reminder is provided to call the CATV system installer's attention to Article 820-40 of the NEC that provides guidelines for proper grounding and, in particular, specifies that the cable ground shall be connected to the grounding system of the building, as close to the point of cable entry as practical.

16. An outside antenna system should not be located in the vicinity of overhead power lines or other electric lights or power circuits, or where it can fall into such power lines or circuits. When installing an outside antenna system, extreme care should be taken to keep from touching such power lines or circuits as contact with them might be fatal.
17. For added protection for this television set during a lightning storm, or when it is left unattended and unused for long periods of time, unplug it from the wall outlet and disconnect the antenna. This will prevent damage due to lightning and power-line surges.

OPERATION OF YOUR SET

18. This television set should be operated only from the type of power source indicated on the marking label. If you are not sure of the type of power supply at your home, consult your television dealer or local power company. For television sets designed to operate from battery power, refer to the operating instructions.
19. If the television set does not operate normally by following the operating instructions, unplug this television set from the wall outlet and refer servicing to qualified service personnel. Adjust only those controls that are covered in the operating instructions as improper adjustment of other controls may result in damage and will often require extensive work by a qualified technician to restore the television set to normal operation.
20. When going on a holiday : If your television set is to remain unused for a period of time, for instance, when you go on a holiday, turn the television set " off " and unplug the television set from the wall outlet.

IF THE SET DOES NOT OPERATE PROPERLY

21. If you are unable to restore normal operation by following the detailed procedure in your operating instructions, do not attempt any further adjustment. Unplug the set and call your dealer or service technician.
22. Whenever the television set is damaged or fails, or a distinct change in performance indicates a need for service, unplug the set and have it checked by a professional service technician.
23. It is normal for some TV sets to make occasional snapping or popping sounds, particularly when being turned on or off. If the snapping or popping is continuous or frequent, unplug the set and consult your dealer or service technician.

FOR SERVICE AND MODIFICATION

24. Do not use attachments not recommended by the television set manufacturer as they may cause hazards.
25. When replacement parts are required, be sure the service technician has used replacement parts specified by the manufacturer that have the same characteristics as the original part. Unauthorized substitutions may result in fire, electric shock, or other hazards.
26. Upon completion of any service or repairs to the television set, ask the service technician to perform routine safety checks to determine that the television is in safe operating condition.

PRODUCT SPECIFICATION

MODEL: CT-F6870S

AMBIENT CONDITIONS:

AMBIENT TEMPERATURE:

OPERATING : -10°C ~ +40°C

STORAGE : -15°C ~ +45°C

HUMIDITY

OPERATING: <80%

STORAGE: <90%

AIR PRESSURE: 86kpa ~ 106kpa

PREPARED BY :

DATE:

APPROVED BY:

DATE: _

A: GENERAL SPECIFICATION:

1: CRT

- 14"_____ 20"_____
- 21"_____ 25"_____
- 29"_____ 34"_____ OTHER_____

2: CHASSIS:

- DIGITAL NICAM STEREO ANALOG
- SURROUND SOUND TELETEXT GERMAN STEREO
- S.VHS OTHER COMB-F, VM, INTERNAL WOOFER BOX

3: CPU:

- TSB M5C01 TSB M5C03 TSB M5ENG TSB M6/M6A TSB M7/M7A
- TSB M8A TSB M8B TSB CTS-654A TSB M2A SS M4F
- PHIL.CTV 222S MIT.(2911) SIE SDA 5352 其他(OTHERS) M13

4: TV BROADCASTING SYSTEM AND COUNTRY

- PAL-I PAL-BG PAL-DK PAL-DK.1
- PAL-DK.BG SECAM-BG SECAM-L SECAM-DK.BG
- PAL-N NTSC-M NTSC3.579/4.43 AV MODE 21 MULTI SYSTEM
- UK HK GERMAN RUSSIA
- CHINA USA E.EUROPE VIETNAM
- CANADA DUBAI INDONESIA S.AFRICA
- MALAYSIA MID. AMERICA SINGAPORE ISRAEL
- AUSTRALIA & NEW ZEALAND TAIWAN MOROCCO
- PHILIPPINES OTHER_____

5: RECEIVING CHANNELS

- CH21--CH69 CH2--CH12 (CCIR)
- CHFA-CHS20 (FRANCE BAND) CH2--CHS41 (HYPER BAND)
- CH21--CH69 CH21--CH69
- CH2--CHS20 (CABLE BAND) CH2--CH13 (USA BAND)

CH21--CH69

CH14--CH83

CHR1--CHR12 (OIRT)

CH1--CH12/CH13-CH57 (CHINA BAND)

OTHER CATV 470MHz

6: SCANNING LINES AND FREQUENCIES

625 LINES 15.625kHz 50Hz

525 LINES 15.75kHz 60Hz

525/625 LINES 15.625kHz /15.75kHz 50/60Hz

7: COLOUR SUB-CARRIER

4.433MHz

3.579MHz

3.58MHz

8: INTERMEDIATE FREQUENCIES

PICTURE 39.5MHz

SOUND 6.0MHz

PICTURE 38.9MHz

SOUND 5.5MHz

PICTURE 38.0MHz

SOUND 6.5MHz

PICTURE 45.75MHz

SOUND 4.5MHz

OTHER _____ AM SOUND 6.5MHz

9: POWER CONSUMPTION :

65W

70W

75W

80W

110W

120W

130W 140W 180W 190W OTHER _____

10: POWER SOURCE :

AC 120V 60Hz±10%

AC 200V 50Hz±10%

AC 220V 50Hz±10%

AC 220V 50Hz+10%~25%

AC 240V 50Hz±10%

AC 110V-240V 50/60Hz±10%

OTHER _____

11: AUDIO OUTPUT POWER (7%THD)

- 13" & 14" ---1W
- 20" & 21" ---2W
- 20" & 21" ---2W + 2W (R + L)
- 25" ---4W + 4W (R + L)
- 29" $\geq 6W + 6W (R + L)$
- 34" ---8W + 8W(R + L)
- OTHER _____

12: AERIAL INPUT IMPEDANCE

- 75 Ω UNBALANCED DIN JACK ANT.INPUT75
- 75 Ω UNBALANCED F TYPE ANT.INPUT FOR NTSC
- 300 Ω BALANCED (TWO TERMINALS ANT.INPUT)
- OTHER _____

13: PRODUCT SAFETY REQUIREMENT

- BS APPROVAL
- VDE APPROVAL
- UL APPROVAL
- CHINA APPROVAL
- CB APPORVAL
- OTHER SAA EMC

14: PRODUCT EMC/EMI REQUIREMENT

- FTZ APPOVAL
- FCC APPROVAL
- CHINA APPOVAL
- OTHER _____

B: BASIC FEATURES OF CONTROLLER

1: CHANNEL TUNING METHOD

- VOLTAGE SYNTHESIZER (V.S.)

PLL FREQUENCY SYNTHESIZER (F.S.)

2: PRESETTABLE PROGRAM

50 PROGRAMS 0-99 PROGRAMS

100 PROGRAMS 181 PROGRAMS

OTHER _____

3: TUNING FOR VHF AND UHF BANDS

AUTO SEARCH) MANUAL TUNING)

FINE TUNING

4: PICTURE AND SOUND ADJUSTMENT

BRIGHT, CONTRAST, COLOUR AND VOLUME CONTROL

TINT CONTROL(NTSC)

TREBLE, BASS, BALANCE CONTROL

SHARPNESS CONTROL

4D FAULT SOUND SETTING, FIVE-BAND EQUALIZER

5: TELETEXT

SIMPLE TEXT TOP(TABLE OF PAGES)

FLOF (FASTEXT) LIST

6: ON SCREEN DISPLAY

GENERAL FEATURES* STEREO DUAL LAN.

FOUR S.EFFECT INDICATOR GERMAN STEREO INDICATOR

注: *REMARK: OSD-GENERAL FEATURES OF CPU:
VOLUME, BRIGHTNESS, CONTRAST, COLOUR, PROGRAM, BAND,
AUTO SEARCH, MANUAL, TUNE, MUTING, AV AND SLEEP TIMER.

7: SLEEP TIMER

10-120 MINUTES WITH 10M.INCREMENT

8: AUTO OFF WHEN NO BROADCASTING SIGNAL

10 min 15 min 20 min

9: FULL FUNCTION INFRARED REMOTE CONTROL

P/N OF REMOTE CONTROL INLAY) : 58-HS46F2-MUI

10: REMOTE EFFECTIVE DISTANCE 8 m

C: CONSTRUCTION OF FRONT PANEL

- | | |
|---|--|
| <input checked="" type="checkbox"/> MAIN POWER SWITCH | <input type="checkbox"/> FUNCTION SELECT |
| <input checked="" type="checkbox"/> REMOTE SENSOR | <input checked="" type="checkbox"/> MENU SELECT |
| <input type="checkbox"/> SYSTEM FUNCTION | <input type="checkbox"/> S.VHS INPUT |
| <input type="checkbox"/> MICROPHONE INPUT | <input checked="" type="checkbox"/> TV/AV SELECT |
| <input checked="" type="checkbox"/> STANDBY INDICATOR | <input checked="" type="checkbox"/> PROGRAM VOLUME UP/DOWN |
| <input type="checkbox"/> BAND SELECT | <input checked="" type="checkbox"/> RCA SOCKET (SIDE) |
| <input type="checkbox"/> EARPHONE INPUT | <input type="checkbox"/> OTHER _____ |
| <input type="checkbox"/> AUTO SEARCH AND MANUAL TUNING SELECT | |

D: CONSTRUCTION OF REAR PANEL

- 75Ω AERIAL TERMINAL
- 300Ω AERIAL TERMINAL
- RCA SOCKET(AV INPUT ONLY)
- RCA SOCKET--AV IN/OUT
- RCA SOCKET --A-R+L IN/OUT, V- IN/OUT
- RCA SOCKET --A-R+L /V INPUT X 2,
- SCART SOCKET
- S.VHS INPUT
- EXT/INT SPEAKER SELECT
- EXT.SPEAKERS (R+L) TERMINALS
- EXT.SPEAKERS (R+L) RCA SOCKET
- SUPER WOOFER TERMINAL
- OTHER YUV

E: AUDIO AND VIDEO INPUT/OUTPUT

- RCA SOCKET
- SCART SOCKET(AV)
- S SCART SOCKET(FULL)

SPECIFICATION	SCART	RCA
VIDEO INPUT 75Ω S	1V _{P-P}	1V _{P-P}
AUDIO INPUT 10kΩ (R+L)	0.5V _{rmS}	0.5V _{rmS}
VIDEO OUTPUT 75Ω	1V _{P-P}	1V _{P-P}
AUDIO OUTPUT 1kΩ (R+L)	0.5V _{rmS}	0.5V _{rmS}
RGB INTPUT 75Ω	0.7V _{P-P}	
AUDIO LINE OUTPUT 1kΩ	1V _{P-P}	

F: OTHERS INFORMATION

1. FLYBACK : 37-BS2901-58BOX
2. TUNER : 07-389VI5-NX4
3. SAW FILTER : 45-SAWK33-50K
4. POWER CORD : _____
5. FUSE : _____
6. COLOUR TEMP : _____
7. MAGNETIC FIELD : _____
8. IC EEPROM : 13-00M24C-08P
9. IR RECEIVER : 11-IRR001-1X0
10. CIRCUIT DIAGRAM : 01-29704T-MA5
11. MAIN BOARD : 40-2916MT-MAH

Sheet1

03-29704T-AA5	Effective Date :	2002-7-23		Item	Quantity	Designator	
Parent Item	Parent Item Description	Item No.	Item Description	Type	Requirement		
08-29704T-MAN	ASSY - MAIN BD	27-MBC104-J0X	CAP. M.P.E.0.1 UF 50V +/-5%	C	6	C102, C211, C212, C213, C242, C252	
08-29704T-MAN	ASSY - MAIN BD	27-PBC222-J0X	CAP. P.E. 2200 PF 50V +/-5%	C	2	C207, C221	
08-29704T-MAN	ASSY - MAIN BD	27-PBC223-J0X	CAP. P.E. 0.022UF 50V +/-5%	C	2	C611, C612	
08-29704T-MAN	ASSY - MAIN BD	27-PBC273-J0X	CAP. P.E 0.027UF 50V +/-5%	C	2	C653, C659	
08-29704T-MAN	ASSY - MAIN BD	27-PBC333-J0X	CAP. P.E 0.033UF 50V +/-5%	C	1	C302	
08-29704T-MAN	ASSY - MAIN BD	27-PBC393-J0X	CAP. P.E 0.039UF 50V +/-5%	C	1	C308	
08-29704T-MAN	ASSY - MAIN BD	27-PBC472-J0X	CAP. P.E. 4700PF 50V +/-5%	C	1	C244	
08-29704T-MAN	ASSY - MAIN BD	27-PBC563-J0X	CAP. P.E 0.056 UF 50V +/-5%	C	1	C304	
08-29704T-MAN	ASSY - MAIN BD	27-PBC822-J0X	CAP. P.E. 8200 PF 50V +/-5%	C	2	C652, C656	
08-29704T-MAN	ASSY - MAIN BD	27-RHQ563-J0X	CAP. PP 0.056 UF 400V +/-5%	C	1	C451	
08-29704T-MAN	ASSY - MAIN BD	34-R120J2-0EX	COIL PL - 12 UH +/-5%	C	1	L256	
08-29704T-MAN	ASSY - MAIN BD	13-TCLM13-V1P	IC TCLM13V1 3CD4 (CPU)	H	1	IC001	
08-29704T-MAN	ASSY - MAIN BD	18-CD0392-JNX	RES. C.F. 3.9K OHM 1/4W +/-5%	C	2	R312, R725	
08-29704T-MAN	ASSY - MAIN BD	18-CE0229-JNX	RES. C.F. 2.2 OHM 1/2W +/-5%	C	1	R305	
08-29704T-MAN	ASSY - MAIN BD	18-FG0479-JHX	RES. M.O. 4.7 OHM 2W +/-5%	C	1	R303	
08-29704T-MAN	ASSY - MAIN BD	27-RHQ223-J0X	CAP. PP 0.022 UF 400V +/-5%	C	1	C416	
08-29704T-MAN	ASSY - MAIN BD	36-WID601-XX1	COIL CHOKE 600 UH	C	1	L414	
08-29704T-MAN	ASSY - MAIN BD	70-271510-00A	SERVICE CARD	C	1	FOR PRODUCTION USE	
08-29704T-MAN	ASSY - MAIN BD	62-2970TB-0UN	TERMINAL BD BRACKET	C	1		
08-29704T-MAN	ASSY - MAIN BD	27-ALQ272-J0X	CAP. M.PP 0.0027UF 1.6KV +/-5%	C	1	C413	
08-29704T-MAN	ASSY - MAIN BD	27-ALQ432-J0X	CAP. M.PP 4300 PF 1.6KV +/-5%	C	1	C414	
08-29704T-MAN	ASSY - MAIN BD	27-ALR822-J0X	CAP. M.PP 8200 PF 1.6KV +/-5%	C	1	C415	
08-29704T-MAN	ASSY - MAIN BD	36-LIN240-XX1	COIL LINEARITY 24 UH	C	1	L413	
08-29704T-MAN	ASSY - MAIN BD	18-GM0302-KTX	RES. CEMENT 3K OHM 7W +/-10%	C	1	R404	
08-29704T-MAN	ASSY - MAIN BD	37-SC2901-58BOX	FLYBACK BSC29-0158B	C	1	T461	
08-29704T-MAN	ASSY - MAIN BD	18-CD0681-JNX	RES. C.F. 680 OHM 1/4W +/-5%	C	1	R724	
08-29704T-MAN	ASSY - MAIN BD	27-PBC103-J0X	CAP. P.E. 0.01UF 50V +/-5%	C	1	C052	
08-29704T-MAN	ASSY - MAIN BD	18-CB0622-JNX	RES. C.F. 6.2K OHM 1/6W +/-5%	C	1	R231	
08-29704T-MAN	ASSY - MAIN BD	18-CB0393-JNX	RES. C.F. 39K OHM 1/6W +/-5%	C	1	R314	
08-29704T-MAN	ASSY - MAIN BD	27-AGQ514-JSX	CAP. M.PP 0.51 UF 250V +/-5%	C	1	C418	
08-29704T-MAN	ASSY - MAIN BD	62-2970MB-0UN	MAIN BD BRACKET	C	1		
08-29704T-MAN	ASSY - MAIN BD	63-W30100-AB4	S/T SCREW W 3 X 10 AB	C	2	MTG TERM. BKT & M.BD BKT	
08-29704T-MAN	ASSY - MAIN BD	18-FG0100-JHX	RES. M.O. 10 OHM 2W +/-5%	C	1	J211	
08-29704T-MAN	ASSY - MAIN BD	27-MBC473-J0X	CAP. M.P.E. 0.047 UF 50V +/-5%	C	2	C603, C604	
08-29704T-MAN	ASSY - MAIN BD	46-32282H-02X	HS 2P22 300 F/W SCN2Y/SM2R WH	C	1	P621A	FOR REAR CAB.
08-29704T-MAN	ASSY - MAIN BD	18-CB0133-JNX	RES. C.F. 13K OHM 1/6W +/-5%	C	1	R452	
08-29704T-MAN	ASSY - MAIN BD	18-CD0182-JNX	RES. C.F. 1.8K OHM 1/4W +/-5%	C	1	R313	
08-29704T-MAN	ASSY - MAIN BD	18-EG0689-JHX	RES. FUSE 6.8 OHM 2W +/-5%	C	1	R461	

Sheet1

08-29704T-MAN	ASS'Y - MAIN BD	66-343730-0B0	HOLLOW RIVET 1.6X3.0XL3.2	C	5	FOR T461		
08-29704T-MAN	ASS'Y - MAIN BD	41-BF0100-3BB	WIRE UL 1007 #24 100MM ORG	C	1	FOR P1 - P1		
08-29704T-MAN	ASS'Y - MAIN BD	13-000040-52P	IC 4052	H	2	IC961, IC962		
08-29704T-MAN	ASS'Y - MAIN BD	13-0TDA26-16S	IC TDA2616 (AUDIO O/P)	H	1	IC601		
08-29704T-MAN	ASS'Y - MAIN BD	13-TA1216-ANP	IC TA1216AN	H	1	IC651		
08-29704T-MAN	ASS'Y - MAIN BD	13-TB1240-ANP	IC TB1240AN	H	1	IC201		
08-29704T-MAN	ASS'Y - MAIN BD	18-CB0104-JNX	RES. C.F. 100K OHM 1/6W +/-5%	C	13	R053, R056, R205, R206, R917, R918, R919, R926, R927, R928, R929, R973, R983		
08-29704T-MAN	ASS'Y - MAIN BD	18-CB0106-JNX	RES. C.F. 10M OHM 1/6W +/-5%	C	1	R116		
08-29704T-MAN	ASS'Y - MAIN BD	18-CB0123-JNX	RES. C.F. 12K OHM 1/6W +/-5%	C	2	R244, R951		
08-29704T-MAN	ASS'Y - MAIN BD	18-CB0151-JNX	RES. C.F. 150 OHM 1/6W +/-5%	C	4	R127, R934, R935, R994		
08-29704T-MAN	ASS'Y - MAIN BD	18-CB0152-JNX	RES. C.F. 1.5K OHM 1/6W +/-5%	C	5	R063, R204, R212, R213, R214		
08-29704T-MAN	ASS'Y - MAIN BD	18-CB0181-JNX	RES. C.F. 180 OHM 1/6W +/-5%	C	1	R123		
08-29704T-MAN	ASS'Y - MAIN BD	18-CB0182-JNX	RES. C.F. 1.8K OHM 1/6W +/-5%	C	1	R715		
08-29704T-MAN	ASS'Y - MAIN BD	18-CB0221-JNX	RES. C.F. 220 OHM 1/6W +/-5%	C	8	R012, R203, R215, R216, R217, R255, R261, R401		
08-29704T-MAN	ASS'Y - MAIN BD	18-CB0224-JNX	RES. C.F. 220K OHM 1/6W +/-5%	C	1	R251		
08-29704T-MAN	ASS'Y - MAIN BD	18-CB0271-JNX	RES. C.F. 270 OHM 1/6W +/-5%	C	1	R711		
08-29704T-MAN	ASS'Y - MAIN BD	18-CB0272-JNX	RES. C.F. 2.7K OHM 1/6W +/-5%	C	1	R227		
08-29704T-MAN	ASS'Y - MAIN BD	18-CB0331-JNX	RES. C.F. 330 OHM 1/6W +/-5%	C	4	R222, R223, R229, R259		
08-29704T-MAN	ASS'Y - MAIN BD	18-CB0471-JNX	RES. C.F. 470 OHM 1/6W +/-5%	C	4	R125, R252, R931, R932		
08-29704T-MAN	ASS'Y - MAIN BD	18-CB0473-JNX	RES. C.F. 47K OHM 1/6W +/-5%	C	5	R052, R115, R262, R263, R284		
08-29704T-MAN	ASS'Y - MAIN BD	18-CB0560-JNX	RES. C.F. 56 OHM 1/6W +/-5%	C	1	R122		
08-29704T-MAN	ASS'Y - MAIN BD	18-CB0561-JNX	RES. C.F. 560 OHM 1/6W +/-5%	C	1	R228		
08-29704T-MAN	ASS'Y - MAIN BD	18-CB0750-JNX	RES. C.F. 75 OHM 1/6W +/-5%	C	1	R933		
08-29704T-MAN	ASS'Y - MAIN BD	18-CB0820-JNX	RES. C.F. 82 OHM 1/6W +/-5%	C	4	R913, R923, R971, R981		
08-29704T-MAN	ASS'Y - MAIN BD	18-CB0822-JNX	RES. C.F. 8.2K OHM 1/6W +/-5%	C	3	R022, R232, R286		
08-29704T-MAN	ASS'Y - MAIN BD	18-CD0181-JNX	RES. C.F. 180 OHM 1/4W +/-5%	C	1	R226		
08-29704T-MAN	ASS'Y - MAIN BD	18-CD0222-JNX	RES. C.F. 2.2K OHM 1/4W +/-5%	C	1	R723		
08-29704T-MAN	ASS'Y - MAIN BD	18-CD0829-JNX	RES. C.F. 8.2 OHM 1/4W +/-5%	C	2	R607, R608		
08-29704T-MAN	ASS'Y - MAIN BD	18-CE0121-JNX	RES. C.F. 120 OHM 1/2W +/-5%	C	1	R731		
08-29704T-MAN	ASS'Y - MAIN BD	18-FF0103-JGX	RES. M.O. 10K OHM 1W +/-5%	C	1	R421		
08-29704T-MAN	ASS'Y - MAIN BD	18-FF0221-JGX	RES. M.O. 220 OHM 1W +/-5%	C	1	R307		
08-29704T-MAN	ASS'Y - MAIN BD	18-FF0242-JGX	RES. M.O. 2.4K OHM 1W +/-5%	C	1	R402		
08-29704T-MAN	ASS'Y - MAIN BD	18-FF0681-JGX	RES. M.O. 680 OHM 1W +/-5%	C	1	R411		
08-29704T-MAN	ASS'Y - MAIN BD	18-FG0399-JHX	RES. M.O. 3.9 OHM 2W +/-5%	C	1	R726		
08-29704T-MAN	ASS'Y - MAIN BD	18-GF0109-JGX	RES WIRE ROUND 1 OHM 1W +/-5%	C	1	R311		
08-29704T-MAN	ASS'Y - MAIN BD	18-GG0109-JHX	RES WIRE ROUND 1 OHM 2W +/-5%	C	1	R422		
08-29704T-MAN	ASS'Y - MAIN BD	25-264610-M1X	CAP. ELEC 4.7UF 50V +/-20% NP	C	1	C417		
08-29704T-MAN	ASS'Y - MAIN BD	26-AIC221-KBX	CAP. CER 220 PF 500V +/-10% B	C	2	C431, C441		
08-29704T-MAN	ASS'Y - MAIN BD	26-AIC332-KBX	CAP. CER 3300 PF 500V +/-10% B	C	1	C402		

Sheet1

08-29704T-MAN	ASSY - MAIN BD	26-AIC391-KBX	CAP. CER 390 PF 500V +/-10% B	C	1	C403	
08-29704T-MAN	ASSY - MAIN BD	34-A608K6-1BX	COIL CHOKE 0.6 UH +/-10%	C	1	L412	
08-29704T-MAN	ASSY - MAIN BD	34-R100J2-0EX	COIL PL - 10 UH +/-5%	C	1	L252	
08-29704T-MAN	ASSY - MAIN BD	34-R101J2-0EX	COIL PL - 100 UH +/-5%	C	3	L201, L211, L271	
08-29704T-MAN	ASSY - MAIN BD	34-R220J2-0EX	COIL PL - 22 UH +/-5%	C	3	L051, L081, L251	
08-29704T-MAN	ASSY - MAIN BD	34-R229J2-0EX	COIL PL - 2.2 UH +/-5%	C	1	L053	
08-29704T-MAN	ASSY - MAIN BD	41-WJ0070-B00	WIRE BARE JUMPER 7MM	C	7	J023, J426, J513, J671, J672, J726, J741	
08-29704T-MAN	ASSY - MAIN BD	41-WJ0080-B00	WIRE BARE JUMPER 8 MM	C	4	J201, J425, J443, J453	
08-29704T-MAN	ASSY - MAIN BD	41-WJ0095-B00	WIRE BARE JUMPER 9.5MM	C	4	J226, J343, J344, J713	
08-29704T-MAN	ASSY - MAIN BD	41-WJ0105-B00	WIRE BARE JUMPER 10.5MM	C	4	J311, J333, J442, J622	
08-29704T-MAN	ASSY - MAIN BD	41-WJ0115-B00	WIRE BARE JUMPER 11.5MM	C	6	J052, J246, J342, J522, J627, J628	
08-29704T-MAN	ASSY - MAIN BD	41-WJ0120-B00	WIRE BARE JUMPER 12MM	C	6	J051, J250, J253, J254, J434, J711	
08-29704T-MAN	ASSY - MAIN BD	41-WJ0140-B00	WIRE BARE JUMPER 14MM	C	5	J321, J335, J336, J337, J742	
08-29704T-MAN	ASSY - MAIN BD	41-WJ0165-B00	WIRE BARE JUMPER 16.5MM	C	3	J221, J234, J314	
08-29704T-MAN	ASSY - MAIN BD	41-WJ0180-B00	WIRE BARE JUMPER 18MM	C	2	J214, J623	
08-29704T-MAN	ASSY - MAIN BD	54-128700-0X0	FIBRE WASHER 3.3 X 10 X 0.8	C	2	MTG M.BD & FBT	
08-29704T-MAN	ASSY - MAIN BD	62-10654X-00F	UNI - TIE (2.5MMX95MM)	C	12		
08-29704T-MAN	ASSY - MAIN BD	62-227680-0UA	HOLDER CABLE FOR FBT (2)	C	1		
08-29704T-MAN	ASSY - MAIN BD	67-H27292-1A0	HEAT SINK-REGULATOR & DPC A=60	C	1	FOR Q722	
08-29704T-MAN	ASSY - MAIN BD	18-CB0201-JNX	RES. C.F. 200 OHM 1/6W +/-5%	C	1	R993	
08-29704T-MAN	ASSY - MAIN BD	18-CD0100-JNX	RES. C.F. 10 OHM 1/4W +/-5%	C	1	R064	
08-29704T-MAN	ASSY - MAIN BD	18-CE0470-JNX	RES. C.F. 47 OHM 1/2W +/-5%	C	1	R103	
08-29704T-MAN	ASSY - MAIN BD	26-AIM103-KBX	CAP. CER 0.01 UF 500V +/-10% B	C	1	C401	
08-29704T-MAN	ASSY - MAIN BD	18-FE0121-JNX	RES. M.O. 120 OHM 1/2W +/-5%	C	1	R306	
08-29704T-MAN	ASSY - MAIN BD	25-BCB220-M1X	CAP. ELEC 22 UF 16V +/-20%	C	1	C278	
08-29704T-MAN	ASSY - MAIN BD	25-BEA221-M1X	CAP. ELEC 220 UF 35V +/-20%	C	1	C306	
08-29704T-MAN	ASSY - MAIN BD	25-BEB101-M1X	CAP. ELEC 100 UF 35V +/-20%	C	1	C731	
08-29704T-MAN	ASSY - MAIN BD	25-BEG222-M1X	CAP. ELEC 2200 UF 35V +/-20%	C	2	C303, C309	
08-29704T-MAN	ASSY - MAIN BD	25-BFB100-M1X	CAP. ELEC 10 UF 50V +/-20%	C	2	C222, C311	
08-29704T-MAN	ASSY - MAIN BD	25-BFB108-M1X	CAP. ELEC 0.1 UF 50V +/-20%	C	1	C271	
08-29704T-MAN	ASSY - MAIN BD	25-BFB109-M1X	CAP. ELEC 1 UF 50V +/-20%	C	8	C206, C253, C631, C654, C663, C664, C665, C672	
08-29704T-MAN	ASSY - MAIN BD	25-BFB478-M1X	CAP. ELEC 0.47 UF 50V +/-20%	C	1	C208	
08-29704T-MAN	ASSY - MAIN BD	25-BFB479-M1X	CAP. ELEC 4.7 UF 50V +/-20%	C	2	C101, C124	
08-29704T-MAN	ASSY - MAIN BD	25-BKA100-M1X	CAP. ELEC 10 UF 200V +/-20%	C	1	C421	
08-29704T-MAN	ASSY - MAIN BD	25-BKG101-M1X	CAP. ELEC 100 UF 200V +/-20%	C	1	C422	
08-29704T-MAN	ASSY - MAIN BD	25-BLA100-M1X	CAP. ELEC 10 UF 250V +/-20%	C	1	C442	
08-29704T-MAN	ASSY - MAIN BD	38-236560-00X	COIL I.F.T. 236560 FOR VCO	C	1	T271	
08-29704T-MAN	ASSY - MAIN BD	41-WJ0190-B00	WIRE BARE JUMPER 19MM	C	1	J823	
08-29704T-MAN	ASSY - MAIN BD	25-BFB101-M1X	CAP. ELEC 100 UF 50V +/-20%	C	1	C605	
08-29704T-MAN	ASSY - MAIN BD	18-CB0302-JNX	RES. C.F. 3K OHM 1/6W +/-5%	C	2	R601, R602	

Sheet1

08-29704T-MAN	ASS'Y - MAIN BD	18-FE0472-JNX	RES. M.O. 4.7K OHM 1/2W +/-5%	C	1	R471	
08-29704T-MAN	ASS'Y - MAIN BD	25-GFB109-K1X	CAP. ELEC 1UF 50V +/-10%	C	1	C223	
08-29704T-MAN	ASS'Y - MAIN BD	18-EG0109-JHX	RES. FUS. 1 OHM 2W +/-5%	C	1	R431	
08-29704T-MAN	ASS'Y - MAIN BD	18-CB0470-JNX	RES. C.F. 47 OHM 1/6W +/-5%	C	5	R021, R077, R084, R085, R940 C074, C106, C214, C227, C276, C651, C655, C661, C662, C666,	
08-29704T-MAN	ASS'Y - MAIN BD	25-BCB100-M1X	CAP. ELEC 10 UF 16V +/-20%	C	12	C671, C952	
08-29704T-MAN	ASS'Y - MAIN BD	41-WJ0160-B00	WIRE BARE JUMPER 16MM	C	4	J238, J325, J334, J431	
08-29704T-MAN	ASS'Y - MAIN BD	18-CB0472-JNX	RES. C.F. 4.7K OHM 1/6W +/-5%	C	4	R066, R211, R965, R967 R013, R014, R074, R076, R111,	
08-29704T-MAN	ASS'Y - MAIN BD	18-CB0332-JNX	RES. C.F. 3.3K OHM 1/6W +/-5%	C	8	R254, R302, R472	
08-29704T-MAN	ASS'Y - MAIN BD	67-H30147-1A0	HEAT SINK FOR HORIZ	C	1	FOR Q412	
08-29704T-MAN	ASS'Y - MAIN BD	67-H30179-3A0	HEAT SINK	C	1	FOR IC301	
08-29704T-MAN	ASS'Y - MAIN BD	41-WJ0090-B00	WIRE BARE JUMPER 9MM	C	2	J031, J634	
08-29704T-MAN	ASS'Y - MAIN BD	41-WJ0170-B00	WIRE BARE JUMPER 17MM	C	3	J231, J240, J835	
08-29704T-MAN	ASS'Y - MAIN BD	67-H30705-3A0	HEAT SINK	C	1	FOR IC601	
08-29704T-MAN	ASS'Y - MAIN BD	18-CB0223-JNX	RES. C.F. 22K OHM 1/6W +/-5%	C	7	R092, R631, R915, R916, R920, R925, R952	
08-29704T-MAN	ASS'Y - MAIN BD	71-270870-0A9	LABEL	H	2		
08-29704T-MAN	ASS'Y - MAIN BD	25-BEA102-M1X	CAP. ELEC 1000 UF 35V +/-20%	C	4	C432, C607, C608, C610 J410, J511, J514, J615, J632,	
08-29704T-MAN	ASS'Y - MAIN BD	41-WJ0065-B00	WIRE BARE JUMPER 6.5MM	C	8	J725, J729, R238 J227, J228, J244, J302, J313,	
08-29704T-MAN	ASS'Y - MAIN BD	41-WJ0110-B00	WIRE BARE JUMPER 11MM	C	11	J322, J324, J612, J614, J625, J312, J332, J427, J624, J626,	
08-29704T-MAN	ASS'Y - MAIN BD	41-WJ0200-B00	WIRE BARE JUMPER 20MM	C	8	J727, J824, J831 J131, J206, J218, J222, J225, J233, J263, J352, J643, J772,	
08-29704T-MAN	ASS'Y - MAIN BD	41-WJ0125-B00	WIRE BARE JUMPER 12.5MM	C	13	J813, J951, J981	
08-29704T-MAN	ASS'Y - MAIN BD	10-0BY228-F0X	DIODE BY228 (FAST RECTIFIER)	C	1	D411	
08-29704T-MAN	ASS'Y - MAIN BD	10-1N4001-EBX	DIODE 1N4001 (RECTIFIER)	C	1	D301	
08-29704T-MAN	ASS'Y - MAIN BD	10-55C12V-DBX	DIODE ZENER 12V 1/2W +/-5%	C	2	D731, D732	
08-29704T-MAN	ASS'Y - MAIN BD	10-55C4V7-DBX	DIODE ZENER 4.7V 1/2W +/-5%	C	1	D222	
08-29704T-MAN	ASS'Y - MAIN BD	10-55C5V1-DBX	DIODE ZENER 5V1 1/2W +/-5%	C	2	D061, D101	
08-29704T-MAN	ASS'Y - MAIN BD	10-55C8V2-DBX	DIODE ZENER 8V2 1/2W +/-5%	C	2	D240, D471	
08-29704T-MAN	ASS'Y - MAIN BD	10-CW574C-DJX	DIODE CW574CS	C	1	D111	
08-29704T-MAN	ASS'Y - MAIN BD	10-TFR104-FBX	DIODE TFR104 (FAST RECOVERY)	C	4	D412, D421, D431, D441	
08-29704T-MAN	ASS'Y - MAIN BD	18-CB0333-JNX	RES. C.F. 33K OHM 1/6W +/-5%	C	4	R114, R208, R289, R714	
08-29704T-MAN	ASS'Y - MAIN BD	18-CB0124-JNX	RES. C.F. 120K OHM 1/6W +/-5%	C	1	R287	
08-29704T-MAN	ASS'Y - MAIN BD	18-CB0752-JNX	RES. C.F. 7.5K OHM 1/6W +/-5%	C	1	R221	
08-29704T-MAN	ASS'Y - MAIN BD	11-SK2541-0BX	TRANSISTOR 2SK2541 (N-CHANNEL)	H	1	Q052	

Sheet1

08-29704T-MAN	ASS'Y - MAIN BD	41-WJ0175-B00	WIRE BARE JUMPER 17.5MM	C	7	J223, J249A, J251, J661, J811, J912, J913	
08-29704T-MAN	ASS'Y - MAIN BD	25-BCB470-M1X	CAP. ELEC 47 UF 16V +/-20%	C	13	C202, C274, C911, C912, C913, C921, C922, C923, C931, C932, C943, C981, C991	
08-29704T-MAN	ASS'Y - MAIN BD	18-CB0103-JNX	RES. C.F. 10K OHM 1/6W +/-5%	C	22	R005, R012A, R017, R029, R031, R040, R051, R054, R055, R061, R101, R102, R225, R237, R633, R716	R722, R757, R960, R961, R962, R989
08-29704T-MAN	ASS'Y - MAIN BD	25-BCB101-M1X	CAP. ELEC 100 UF 16V +/-20%	C	8	C064, C217, C228, C257, C658, C934, C944, C969	
08-29704T-MAN	ASS'Y - MAIN BD	25-BCB221-M1X	CAP. ELEC 220 UF 16V +/-20%	C	2	C634, C933	
08-29704T-MAN	ASS'Y - MAIN BD	10-1N4148-ABX	DIODE 1N4148 (SWITCHING)	C	13	D041, D042, D043, D044, D211, D212, D213, D221, D223, D280, D632, D711, D721	
08-29704T-MAN	ASS'Y - MAIN BD	18-CB0222-JNX	RES. C.F. 2.2K OHM 1/6W +/-5%	C	16	D215, D631, R041, R042, R043, R044, R242, R603, R604, R713, R914, R924, R972, R982, R988, R991	
08-29704T-MAN	ASS'Y - MAIN BD	27-MBC224-J0X	CAP. M.P.E. 0.22 UF 50V +/-5%	C	2	C113, C307	
08-29704T-MAN	ASS'Y - MAIN BD	11-SA1015-YBX	TRANSISTOR 2SA1015Y	C	6	Q061, Q211, Q242, Q633, Q721, Q934	
08-29704T-MAN	ASS'Y - MAIN BD	18-CB0102-JNX	RES. C.F. 1K OHM 1/6W +/-5%	C	24	R062, R067, R071, R091, R124, R220, R269, R271, R301, R304, R451, R911, R912, R921, R922, R936	R938, R939, R945, R946, R947, R948, R966, R968
08-29704T-MAN	ASS'Y - MAIN BD	41-WJ0050-B00	WIRE BARE JUMPER 5MM	C	1	FOR Q241 (B - E)	
08-29704T-MAN	ASS'Y - MAIN BD	46-33079W-06X	PIN BASE *6 TJC3-6A	C	1	P002	FOR W.BAL. ADJUST
08-29704T-MAN	ASS'Y - MAIN BD	46-12866W-02X	PIN BASE *2 S11-02W	C	1	P601	FOR FRONT CAB.(SPK)
08-29704T-MAN	ASS'Y - MAIN BD	46-33079W-02X	PIN BASE *2 TJC3-2A	C	1	P602	FOR FRONT CAB.(SPK)
08-29704T-MAN	ASS'Y - MAIN BD	11-0BC337-0BX	TRANSISTOR BC337-40 (NPN)	C	1	Q062	
08-29704T-MAN	ASS'Y - MAIN BD	11-2N3904-0BX	TRANSISTOR 2N3904 (NPN)	C	1	Q091	
08-29704T-MAN	ASS'Y - MAIN BD	11-SC1815-YBX	TRANSISTOR 2SC1815Y	C	24	Q001, Q002, Q031, Q051, Q251, Q252, Q261, Q451, Q631, Q711, Q911, Q912, Q913, Q921, Q922, Q923	Q931, Q932, Q933, Q963, Q964, Q971, Q981, Q991
08-29704T-MAN	ASS'Y - MAIN BD	11-SC3779-DBX	TRANSISTOR 2SC3779D (RF AMPL)	H	1	Q121	
08-29704T-MAN	ASS'Y - MAIN BD	11-SC4544-0AX	TRANSISTOR 2SC4544 (NPN)	C	1	Q401	
08-29704T-MAN	ASS'Y - MAIN BD	11-DD2553-0AX	TRANSISTOR 3DD2553 (HORIZ O/P)	C	1	Q412	
08-29704T-MAN	ASS'Y - MAIN BD	11-SD1499-QAX	TRANSISTOR 2SD1499Q (POWER)	H	1	Q722	
08-29704T-MAN	ASS'Y - MAIN BD	26-EBP101-JCX	CAP. CER 100 PF 50V +/-5% CH	H	5	C032, C071, C254, C255, C272	

Sheet1

08-29704T-MAN	ASS'Y - MAIN BD	26-EBP102-KBX	CAP. CER 1000 PF 50V +/-10% B	H	16	C001, C002, C013, C061, C062, C127, C224, C305, C312, C411, C602, C606, C936, C937, C942, C971	
08-29704T-MAN	ASS'Y - MAIN BD	26-EBP103-ZFX	CAP. CER 0.01UF 50V +80-20% F	H	19	C075, C083, C111, C121, C125, C126, C203, C205, C215, C226, C229, C256, C273, C275, C657, C732	C935, C961, C962
08-29704T-MAN	ASS'Y - MAIN BD	26-EBP104-ZFX	CAP. CER 0.1UF 50V +80-20% F	H	10	C107, C114, C204, C609, C635, C673, C674, C675, C745, C945	
08-29704T-MAN	ASS'Y - MAIN BD	26-EBP120-JCX	CAP. CER 12 PF 50V +/-5% CH	H	1	C209	
08-29704T-MAN	ASS'Y - MAIN BD	26-EBP150-JCX	CAP. CER 15 PF 50V +/-5% CH	H	4	C041, C042, C043, C044	
08-29704T-MAN	ASS'Y - MAIN BD	26-EBP222-KBX	CAP. CER 2200PF 50V +/-10% B	H	1	C452	
08-29704T-MAN	ASS'Y - MAIN BD	26-EBP300-JZX	CAP. CER 30 PF 50V +/-5% SL	H	2	C055, C056	
08-29704T-MAN	ASS'Y - MAIN BD	26-EBP330-JZX	CAP. CER 33 PF 50V 5% SL TUBU	H	2	C128, C953	
08-29704T-MAN	ASS'Y - MAIN BD	26-EBP331-JCX	CAP. CER 330 PF 50V +/-5% CH	H	6	C004, C063, C084, C085, C091, C301	
08-29704T-MAN	ASS'Y - MAIN BD	26-EBP390-JCX	CAP. CER 39 PF 50V +/-5% CH	H	1	C051	
08-29704T-MAN	ASS'Y - MAIN BD	26-EBP470-JZX	CAP. CER 47 PF 50V +/-5% SL	H	4	C072, C073, C261, T141	
08-29704T-MAN	ASS'Y - MAIN BD	27-MCC562-J0X	CAP. M.P.E 5.6NF 100V +/-20%	C	1	C471	
08-29704T-MAN	ASS'Y - MAIN BD	45-OSC4M4-3Y0	CRYSTAL 4.43 MHZ	C	1	X201	
08-29704T-MAN	ASS'Y - MAIN BD	45-TRA5M5-0Y0	CER. TRAP 5.5 MHZ	C	1	Z254	
08-29704T-MAN	ASS'Y - MAIN BD	45-OSC8M0-0Y0	CRYSTAL 8.0MHZ	C	1	X051	
08-29704T-MAN	ASS'Y - MAIN BD	47-SVI002-XX0	SOCKET S-W16-J	C	1	P981	
08-29704T-MAN	ASS'Y - MAIN BD	63-B30100-BT4	S/T SCREW B 3 X 10 BT	C	2	MTG M.BD & FBT	
08-29704T-MAN	ASS'Y - MAIN BD	63-W30100-AB4	S/T SCREW W 3 X 10 AB	C	6	MTG M.BD & BKT	
08-29704T-MAN	ASS'Y - MAIN BD	64-P30080-104	M/C SCREW P 3 X 8	C	1	FOR Q722	
08-29704T-MAN	ASS'Y - MAIN BD	64-P30080-104	M/C SCREW P 3 X 8	C	1	FOR IC301	
08-29704T-MAN	ASS'Y - MAIN BD	64-P30080-104	M/C SCREW P 3 X 8	C	1	FOR Q412	
08-29704T-MAN	ASS'Y - MAIN BD	64-P30100-104	M/C SCREW P 3 X 10	C	2	FOR IC601	
08-29704T-MAN	ASS'Y - MAIN BD	65-Z30050-23M	NUT M 3	C	2	FOR IC301 & Q412	
08-29704T-MAN	ASS'Y - MAIN BD	65-Z30050-23M	NUT M 3	C	2	FOR IC601	
08-29704T-MAN	ASS'Y - MAIN BD	46-20598W-04X	PIN BASE *4 TJC1-4A	C	1	P411	FOR DY CONNECT.
08-29704T-MAN	ASS'Y - MAIN BD	40-2916MT-MAH	P.C.B. MAIN BD	C	1		
08-29704T-MAN	ASS'Y - MAIN BD	41-WJ0050-B00	WIRE BARE JUMPER 5MM	C	19	C262, C946, J022, J410A, J415, J416, J417, J418, J419, J420, J435, J436, J437, J636, J637, J773	J871, J954, J955
08-29704T-MAN	ASS'Y - MAIN BD	41-WJ0085-B00	WIRE BARE JUMPER 8.5MM	C	14	J122, J204, J205, J348, J409, J424, J441, J502, J503, J553, J554, J621, J723, J822	
08-29704T-MAN	ASS'Y - MAIN BD	41-WJ0135-B00	WIRE BARE JUMPER 13.5MM	C	7	J224, J236, J247, J248A, J345, J411, R228A	

Sheet1

08-29704T-MAN	ASS'Y - MAIN BD	41-WJ0130-B00	WIRE BARE JUMPER 13MM	C	3	J239, J346, J413		
						J032, J133, J153, J235, J237, J243, J245, J255, J262, J347, J461, J542, J714, J721A, J722A,	J782, J931	
08-29704T-MAN	ASS'Y - MAIN BD	41-WJ0150-B00	WIRE BARE JUMPER 15MM	C	18			
08-29704T-MAN	ASS'Y - MAIN BD	26-EBP221-JCX	CAP. CER 220 PF 50V +/-5% CH	H	5	C011, C021, C092, C112, C228A		
						R057, R072, R112, R113, R288, R632A, R987		
08-29704T-MAN	ASS'Y - MAIN BD	18-CB0153-JNX	RES. C.F. 15K OHM 1/6W +/-5%	C	7			
08-29704T-MAN	ASS'Y - MAIN BD	46-33079W-03X	PIN BASE *3 TJC3-3A	C	1	P401		FOR VM BD P504
08-29704T-MAN	ASS'Y - MAIN BD	46-33079W-04X	PIN BASE *4 TJC3-4A	C	1	P202		FOR VM BD P505
08-29704T-MAN	ASS'Y - MAIN BD	46-33079W-04X	PIN BASE *4 TJC3-4A	C	1	P421		FOR CRT BD P502
08-29704T-MAN	ASS'Y - MAIN BD	46-33079W-05X	PIN BASE *5 TJC3-5A	C	1	P001		FOR RECEIVE BD P001B
08-29704T-MAN	ASS'Y - MAIN BD	46-33079W-05X	PIN BASE *5 TJC3-5A	C	1	P201		FOR CRT BD P503
08-29704T-MAN	ASS'Y - MAIN BD	46-33079W-06X	PIN BASE *6 TJC3-6A	C	1	P003		FOR SIDE AV BD P902
08-29704T-MAN	ASS'Y - MAIN BD	26-EBP220-JCX	CAP. CER 22 PF 50V +/-5% CH	H	2	C053, C054		
08-29704T-MAN	ASS'Y - MAIN BD	47-RCA023-XX1	RCA JACK 3PV YEL WHI RED/SW	H	2	P911, P931		
08-29704T-MAN	ASS'Y - MAIN BD	46-20600H-04X	HS 4P A/B 360/13 RBGW TJC1-4Y	C	1	FOR D.F BD (A1' & A2 & A5 & A6)		
						J001, J002, J061, J134, J203, J402, J423, J432, J501, J611, J631, J652, J653, J692, J728,		
08-29704T-MAN	ASS'Y - MAIN BD	41-WJ0100-B00	WIRE BARE JUMPER 10MM	C	17			
08-29704T-MAN	ASS'Y - MAIN BD	18-CD0272-JNX	RES. C.F. 2.7K OHM 1/4W +/-5%	C	1	J691		
08-29704T-MAN	ASS'Y - MAIN BD	41-WJ0195-B00	WIRE BARE JUMPER 19.5MM	C	4	J323, J355, J641, J731		
08-29704T-MAN	ASS'Y - MAIN BD	26-ABC104-ZFX	CAP. CER 0.1 UF 50V +80-20% F	C	1	FOR R038(R040) TO R036(GND)		
						D046, D141, J041, J043, J124, J151, J152, J154, J207, J208, J217, J241, J331, J351, J405, J406	J407, J408, J412, J414, J541, J544, J551, J642, J651, J656, J693, J712, J734, J812, J821, J833	J851, J915, J941
08-29704T-MAN	ASS'Y - MAIN BD	41-WJ0075-B00	WIRE BARE JUMPER 7.5MM	C	35			
08-29704T-MAN	ASS'Y - MAIN BD	41-RE0050-1BB	WIRE UL 1672 #22 50MM BROWN	C	1	FOR P602(GND) TO C610(GND)		
08-29704T-MAN	ASS'Y - MAIN BD	36-HDR001-XX1	TRANSFORMER HORIZ DRIVE	C	1	T401		
08-29704T-MAN	ASS'Y - MAIN BD	07-389VI5-NX4	TUNER UV1355-BK2(BG/HB/IEC/5V)	H	1	TU101		
08-29704T-MAN	ASS'Y - MAIN BD	90-209770-SR1	SILICONE GREASE G-746 (1KG/CAN	H	0.0009	FOR IC601 & Q412 & Q722		
08-29704T-MAN	ASS'Y - MAIN BD	90-269080-ZU0	CLEAN COATING TC-131L 14KG/BAR	H	0.0001			
08-29704T-MAN	ASS'Y - MAIN BD	13-00M24C-08P	IC M24C08 EEPROM 8K		1	IC002		
08-29704T-MAN	ASS'Y - MAIN BD	13-0TA842-7KS	IC TA8427K		1	IC301		
08-29704T-MAN	ASS'Y - MAIN BD	34-A109K2-1IX	COIL CHOKE 1 UH +/-10% (5MM)	C	2	L121, L141		
08-29704T-MAN	ASS'Y - MAIN BD	25-BCA471-M1X	CAP. ELEC 470 UF 16V +/-20%	C	1	C082		
08-29704T-MAN	ASS'Y - MAIN BD	45-SAWK33-50K	SAW FILTER K3350K (38.9MHZ)	H	1	Z141		
						R003, R006, R007, R008, R009, R015, R016, R038, R065, R073, R075, R253, R651, R652		
08-29704T-MAN	ASS'Y - MAIN BD	18-CB0101-JNX	RES. C.F. 100 OHM 1/6W +/-5%	C	14			

Sheet1

08-29704T-MAN	ASSY - MAIN BD	41-WJ0060-B00	WIRE BARE JUMPER 6MM	C	41	J022A, J044, J123, J132, J141, J229, J230, J232, J242, J261, J301, J338, J401, J421, J512, J523	J543, J601, J633, J732, J733, J825, J826, J832, J834, J836, J837, J838, J911, J921, R023, R024	R025, R026, R027, R028A, R028B, R028C, R126, R224, R241
08-29704T-MAN	ASSY - MAIN BD	27-MBC474-J0X	CAP. M.P.E. 0.47 UF 50V +/-5%	C	2	C225, C243		
08-02988T-PW1	ASSY - POWER PARTS "AUST"	35-237250-00X	FERR. BEAD HF70	C	2	FOR D830		
08-02988T-PW1	ASSY - POWER PARTS "AUST"	18-KE0105-JNX	RES. H. VOLT. CC 1M OHM 1/2W	C	1	R801		
08-02988T-PW1	ASSY - POWER PARTS "AUST"	67-H29550-8A0	HEAT SINK	C	1	FOR IC801		
08-02988T-PW1	ASSY - POWER PARTS "AUST"	67-H34692-0A0	HEAT SINK	C	1	FOR IC801		
08-02988T-PW1	ASSY - POWER PARTS "AUST"	13-00SE14-0NS	IC SE140N	H	1	IC831		
08-02988T-PW1	ASSY - POWER PARTS "AUST"	25-BCA102-M1X	CAP. ELEC 1000 UF 16V +/-20%	C	1	C846		
08-02988T-PW1	ASSY - POWER PARTS "AUST"	27-AQT224-MVF	CAP. M.PP 0.22UF 250VAC 20% CB	H	2	C801, C802		
08-02988T-PW1	ASSY - POWER PARTS "AUST"	36-TRF001-XX2	TRANSFORMER CONV. KB49C1640	C	1	T802		
08-02988T-PW1	ASSY - POWER PARTS "AUST"	13-STRF66-56P	IC STR-F6656	H	1	IC801		
08-02988T-PW1	ASSY - POWER PARTS "AUST"	18-CB0152-JNX	RES. C.F. 1.5K OHM 1/6W +/-5%	C	1	R833		
08-02988T-PW1	ASSY - POWER PARTS "AUST"	18-CB0223-JNX	RES. C.F. 22K OHM 1/6W +/-5%	C	1	R840		
08-02988T-PW1	ASSY - POWER PARTS "AUST"	18-CB0332-JNX	RES. C.F. 3.3K OHM 1/6W +/-5%	C	1	R838		
08-02988T-PW1	ASSY - POWER PARTS "AUST"	18-CB0392-JNX	RES. C.F. 3.9K OHM 1/6W +/-5%	C	1	R841		
08-02988T-PW1	ASSY - POWER PARTS "AUST"	18-CD0102-JNX	RES. C.F. 1K OHM 1/4W +/-5%	C	2	R805, R808		
08-02988T-PW1	ASSY - POWER PARTS "AUST"	18-CD0272-JNX	RES. C.F. 2.7K OHM 1/4W +/-5%	C	1	R813		
08-02988T-PW1	ASSY - POWER PARTS "AUST"	18-CD0470-JNX	RES. C.F. 47 OHM 1/4W +/-5%	C	1	R809		
08-02988T-PW1	ASSY - POWER PARTS "AUST"	18-CD0479-JNX	RES. C.F. 4.7 OHM 1/4W +/-5%	C	1	R811		
08-02988T-PW1	ASSY - POWER PARTS "AUST"	18-CD0829-JNX	RES. C.F. 8.2 OHM 1/4W +/-5%	C	1	R842		
08-02988T-PW1	ASSY - POWER PARTS "AUST"	18-CE0105-JNX	RES. C.F. 1M OHM 1/2W +/-5%	C	2	R806, R806A		
08-02988T-PW1	ASSY - POWER PARTS "AUST"	18-CE0563-JNX	RES. C.F. 56K OHM 1/2W +/-5%	C	2	R803, R804		

Sheet1

08-02988T-PW1	ASSY - POWER PARTS "AUST"	18-FG0223-JHX	RES. M.O. 22K OHM 2W +/-5%	C	1	R836	
08-02988T-PW1	ASSY - POWER PARTS "AUST"	18-FG0333-JHX	RES. M.O. 33K OHM 2W +/-5%	C	2	R810, R839	
08-02988T-PW1	ASSY - POWER PARTS "AUST"	18-GG0228-JHX	RES WIRE ROUND 0.22 OHM 2W 5%	C	1	R830	
08-02988T-PW1	ASSY - POWER PARTS "AUST"	26-AIC221-KBX	CAP. CER 220 PF 500V +/-10% B	C	5	C830, C833, C836, C841, C844	
08-02988T-PW1	ASSY - POWER PARTS "AUST"	26-AIM103-KBX	CAP. CER 0.01 UF 500V +/-10% B	C	3	C805, C834, C837	
08-02988T-PW1	ASSY - POWER PARTS "AUST"	26-AQK472-ZFX	CAP. CER 4700PF 250VAC+80-20%F	C	2	C803, C804	
08-02988T-PW1	ASSY - POWER PARTS "AUST"	35-237250-00X	FERR. BEAD HF70	C	2	FOR D804	
08-02988T-PW1	ASSY - POWER PARTS "AUST"	41-WJ0175-B00	WIRE BARE JUMPER 17.5MM	C	2	J271, J281	
08-02988T-PW1	ASSY - POWER PARTS "AUST"	41-WJ0190-B00	WIRE BARE JUMPER 19MM	C	1	J354	
08-02988T-PW1	ASSY - POWER PARTS "AUST"	41-WJ0200-B00	WIRE BARE JUMPER 20MM	C	1	J381	
08-02988T-PW1	ASSY - POWER PARTS "AUST"	66-20516X-0B0	FUSE HOLDER	C	2	FOR F801	
08-02988T-PW1	ASSY - POWER PARTS "AUST"	67-H10918-4M2	HEAT SINK	C	2	FOR IC841 & IC851	
08-02988T-PW1	ASSY - POWER PARTS "AUST"	13-00MC78-09S	IC MC7809C LINEAR +9V 1A	H	1	IC851	
08-02988T-PW1	ASSY - POWER PARTS "AUST"	26-APK471-KBJ	CAP. CER 470PF 400VAC +/-10% B	H	2	C812, C813	
08-02988T-PW1	ASSY - POWER PARTS "AUST"	27-MHM104-K0X	CAP. METAL P.E. 0.1UF 400V 10%	C	1	C802A	
08-02988T-PW1	ASSY - POWER PARTS "AUST"	35-237250-00X	FERR. BEAD HF70	C	2	FOR D831	
08-02988T-PW1	ASSY - POWER PARTS "AUST"	35-237250-00X	FERR. BEAD HF70	C	2	FOR D832	
08-02988T-PW1	ASSY - POWER PARTS "AUST"	35-237250-00X	FERR. BEAD HF70	C	2	FOR D833	
08-02988T-PW1	ASSY - POWER PARTS "AUST"	35-237250-00X	FERR. BEAD HF70	C	2	FOR D834	
08-02988T-PW1	ASSY - POWER PARTS "AUST"	50-26931D-1VS	FUSE 3.15AT 250VAC 5X20MM BELL	H	1	F801	
08-02988T-PW1	ASSY - POWER PARTS "AUST"	18-CD0560-JNX	RES. C.F. 56 OHM 1/4W +/-5%	C	1	R837	
08-02988T-PW1	ASSY - POWER PARTS "AUST"	25-BCB470-M1X	CAP. ELEC 47 UF 16V +/-20%	C	2	C849, C855	
08-02988T-PW1	ASSY - POWER PARTS "AUST"	25-BDB470-M1X	CAP. ELEC 47 UF 25V +/-20%	C	1	C809	

Sheet1

08-02988T-PW1	ASSY - POWER PARTS "AUST"	25-BEA102-M1X	CAP. ELEC 1000 UF 35V +/-20%	C	1	C832		
08-02988T-PW1	ASSY - POWER PARTS "AUST"	25-BKA100-M1X	CAP. ELEC 10 UF 200V +/-20%	C	2	C808, C838		
08-02988T-PW1	ASSY - POWER PARTS "AUST"	25-BKJ221-M1X	CAP. ELEC 220 UF 200V +/-20%	C	1	C835		
08-02988T-PW1	ASSY - POWER PARTS "AUST"	41-WJ0065-B00	WIRE BARE JUMPER 6.5MM	C	1	J451		
08-02988T-PW1	ASSY - POWER PARTS "AUST"	41-WJ0100-B00	WIRE BARE JUMPER 10MM	C	3	J371, J654, J655		
08-02988T-PW1	ASSY - POWER PARTS "AUST"	41-WJ0145-B00	WIRE BARE JUMPER 14.5MM	C	1	J491		
08-02988T-PW1	ASSY - POWER PARTS "AUST"	41-WJ0180-B00	WIRE BARE JUMPER 18MM	C	1	J353		
08-02988T-PW1	ASSY - POWER PARTS "AUST"	41-WJ0075-B00	WIRE BARE JUMPER 7.5MM	C	1	J471		
08-02988T-PW1	ASSY - POWER PARTS "AUST"	41-WJ0155-B00	WIRE BARE JUMPER 15.5MM	C	2	J561, J562		
08-02988T-PW1	ASSY - POWER PARTS "AUST"	18-GG0158-JHX	RES WIRE ROUND 0.15 OHM 2W 5%	C	1	R807		
08-02988T-PW1	ASSY - POWER PARTS "AUST"	10-0TEU1Z-FBX	DIODE EU1Z (FAST RECOVERY)	C	3	D804, D805, D806		
08-02988T-PW1	ASSY - POWER PARTS "AUST"	10-0EG01C-FBX	DIODE EG01C (FAST RECTIFIER)	C	1	D803		
08-02988T-PW1	ASSY - POWER PARTS "AUST"	10-1N4004-EBX	DIODE IN4004 (RECTIFIER)	C	1	D843		
08-02988T-PW1	ASSY - POWER PARTS "AUST"	10-1N4148-ABX	DIODE 1N4148 (SWITCHING)	C	1	D842		
08-02988T-PW1	ASSY - POWER PARTS "AUST"	10-55C10V-DBX	DIODE ZENER 10V 1/2W +/-5%	C	1	D840		
08-02988T-PW1	ASSY - POWER PARTS "AUST"	10-55C16V-DBX	DIODE ZENER 16V 1/2W +/-5%	C	1	D807		
08-02988T-PW1	ASSY - POWER PARTS "AUST"	10-55C2V4-DBX	DIODE ZENER 2V4 1/2W 5%	C	1	D841		
08-02988T-PW1	ASSY - POWER PARTS "AUST"	10-55C3V9-DBX	DIODE ZENER 3.9V 1/2W +/-5%	C	1	D839		
08-02988T-PW1	ASSY - POWER PARTS "AUST"	10-T3SB60-H7X	DIODE T3SB60 (BRIDGE RECT.)	C	1	DB801		
08-02988T-PW1	ASSY - POWER PARTS "AUST"	10-TFR104-FBX	DIODE TFR104 (FAST RECOVERY)	C	1	D832		
08-02988T-PW1	ASSY - POWER PARTS "AUST"	26-AKK222-KRX	CAP. CER 2200 PF 1KV +/-10% R	C	1	C814		
08-02988T-PW1	ASSY - POWER PARTS "AUST"	26-AMK221-JZX	CAP. CER 220 PF 2KV +/-5% SL	C	1	C807		
08-02988T-PW1	ASSY - POWER PARTS "AUST"	26-AMK221-JZX	CAP. CER 220 PF 2KV +/-5% SL	C	1	FOR P2 - P3 OF IC801		

Sheet1

08-02988T-PW1	ASSY - POWER PARTS "AUST"	26-EBP102-KBX	CAP. CER 1000 PF 50V +/-10% B	H	1	C811	
08-02988T-PW1	ASSY - POWER PARTS "AUST"	26-EBP103-ZFX	CAP. CER 0.01UF 50V +80-20% F	H	1	C815	
08-02988T-PW1	ASSY - POWER PARTS "AUST"	26-EBP221-JCX	CAP. CER 220 PF 50V +/-5% CH	H	1	C810	
08-02988T-PW1	ASSY - POWER PARTS "AUST"	13-000L78-05S	IC L7805 CV 5V 1A (REGUALTOR)	H	1	IC841	
08-02988T-PW1	ASSY - POWER PARTS "AUST"	13-SFH615-A3P	PHOTO COUPLER SFH615A3C	H	1	IC802	
08-02988T-PW1	ASSY - POWER PARTS "AUST"	46-10962W-02X	PIN BASE *2 TJC2-2A	C	1	P801	FOR DEGAUSSING COIL
08-02988T-PW1	ASSY - POWER PARTS "AUST"	11-0BF422-0BX	TRANSISTOR BF422	H	1	Q831	
08-02988T-PW1	ASSY - POWER PARTS "AUST"	11-SB649A-0AX	TRANSISTOR 2SB649A	H	1	Q830	
08-02988T-PW1	ASSY - POWER PARTS "AUST"	11-SC4793-0AX	TRANSISTOR 2SC4793 (VM)	H	1	Q801	
08-02988T-PW1	ASSY - POWER PARTS "AUST"	22-NTC479-XX0	NTC 4.7 OHM +/-18% NTC4.7D2-14	C	1	R802	
08-02988T-PW1	ASSY - POWER PARTS "AUST"	41-WJ0150-B00	WIRE BARE JUMPER 15MM	C	1	R812	
08-02988T-PW1	ASSY - POWER PARTS "AUST"	41-WJ0125-B00	WIRE BARE JUMPER 12.5MM	C	3	J361, J492, R831	
08-02988T-PW1	ASSY - POWER PARTS "AUST"	22-PTC140-XX0	PTC 14 OHM	C	1	RT801	
08-02988T-PW1	ASSY - POWER PARTS "AUST"	36-LIF002-XX0	LINE FILTER 20 MH	C	1	T803	
08-02988T-PW1	ASSY - POWER PARTS "AUST"	36-LIF005-XX0	LINE FILTER	C	1	T801	
08-02988T-PW1	ASSY - POWER PARTS "AUST"	65-Z30050-23M	NUT M 3	C	1	FOR IC801	
08-02988T-PW1	ASSY - POWER PARTS "AUST"	46-28559W-02X	PIN BASE *2 TJC1-2A	C	1	P802A	FOR F. CTL BD
08-02988T-PW1	ASSY - POWER PARTS "AUST"	26-EBP104-ZFX	CAP. CER 0.1UF 50V +80-20% F	H	7	C831, C842, C845, C847, C848, C854, C856	
08-02988T-PW1	ASSY - POWER PARTS "AUST"	25-BCB101-M1X	CAP. ELEC 100 UF 16V +/-20%	C	1	C843	
08-02988T-PW1	ASSY - POWER PARTS "AUST"	18-KF0825-JHX	VOLTAGE RES. 8.2M OHM 1W +/-5%	C	1	R835	
08-02988T-PW1	ASSY - POWER PARTS "AUST"	64-P30080-104	M/C SCREW P 3 X 8	C	2	MTG H.SINK(67-H29550-8A0&67-H34692-0A0)	
08-02988T-PW1	ASSY - POWER PARTS "AUST"	64-P30080-104	M/C SCREW P 3 X 8	C	2	FOR IC841 & IC851	
08-02988T-PW1	ASSY - POWER PARTS "AUST"	64-B30120-104	M/C SCREW B 3 X 12	C	1	FOR IC801	

Sheet1

08-02988T-PW1	ASSY - POWER PARTS "AUST"	10-0EU2YX-F0X	DIODE EU2YX (FAST RECOVERY)	C	2	D833, D834		
08-02988T-PW1	ASSY - POWER PARTS "AUST"	10-0RU3AM-F01	DIODE RU3AM (FAST RECOVERY)		1	D831		
08-02988T-PW1	ASSY - POWER PARTS "AUST"	10-0RU4YX-F0X	DIODE RU4YX (FAST RECOVERY)	C	1	D830		
08-02988T-PW1	ASSY - POWER PARTS "AUST"	34-R220K2-1BX	COIL CHOKE 22 UH +/-10%	C	1	L838		
08-02988T-PW1	ASSY - POWER PARTS "AUST"	25-BMJ221-M1X	CAP. ELEC 220 UF 400V +/-20%	C	1	C806		
08-02988T-PW1	ASSY - POWER PARTS "AUST"	26-APK222-MEJ	CAP. CER 2200PF 250VAC+/-20% E	H	1	C839		
08-02988T-PW1	ASSY - POWER PARTS "AUST"	34-A608K6-1BX	COIL CHOKE 0.6 UH +/-10%	C	1	L801		
08-02988T-PW1	ASSY - POWER PARTS "AUST"	41-WJ0050-B00	WIRE BARE JUMPER 5MM	C	6	J802, J804, J805, J806, J807, J808		
08-02988T-PW1	ASSY - POWER PARTS "AUST"	66-343730-0B0	HOLLOW RIVET 1.6X3.0XL3.2	C	4	FOR T802		
08-02970T-SW1	ASSY - POWER SW. BD "AUST"	46-28559W-02X	PIN BASE *2 TJC1-2A	C	1	S802	FOR POWER CORD	
08-02970T-SW1	ASSY - POWER SW. BD "AUST"	46-28559W-02X	PIN BASE *2 TJC1-2A	C	1	P801		
08-02970T-SW1	ASSY - POWER SW. BD "AUST"	48-256460-0C0	SW. POWER TV8 (PCB MOUNTING)	H	1	SW801		
08-02970T-SW1	ASSY - POWER SW. BD "AUST"	51-JC0243-0CH	POWER CORD SAA PLUG W/HOUSING	H	1			
08-02970T-SW1	ASSY - POWER SW. BD "AUST"	62-265160-0HA	POWER SW. ADAPTOR	C	1			
08-02970T-SW1	ASSY - POWER SW. BD "AUST"	63-W30100-AB4	S/T SCREW W 3 X 10 AB	C	2	MTG PWR SW. BD & M.BD BKT		
08-02970T-SW1	ASSY - POWER SW. BD "AUST"	46-35049H-02X	HS 1617#22 350MM TJC1-2Y*2	C	1	FOR PWR SW.BD(P801) & PWR PARTS		
08-02970T-SW1	ASSY - POWER SW. BD "AUST"	40-2970UA-SWC	P.C.B. POWER SWITCH BD	C	1			
08-02970T-KEY	ASSY - KEY BD	18-CB0152-JNX	RES. C.F. 1.5K OHM 1/6W +/-5%	C	1	R023A		
08-02970T-KEY	ASSY - KEY BD	18-CB0153-JNX	RES. C.F. 15K OHM 1/6W +/-5%	C	1	R027A		
08-02970T-KEY	ASSY - KEY BD	18-CB0182-JNX	RES. C.F. 1.8K OHM 1/6W +/-5%	C	1	R024A		
08-02970T-KEY	ASSY - KEY BD	18-CB0332-JNX	RES. C.F. 3.3K OHM 1/6W +/-5%	C	1	R025A		
08-02970T-KEY	ASSY - KEY BD	18-CB0822-JNX	RES. C.F. 8.2K OHM 1/6W +/-5%	C	1	R026A		
08-02970T-KEY	ASSY - KEY BD	40-2970UA-FBA	P.C.B. KEY BOARD	C	1			
08-02970T-KEY	ASSY - KEY BD	48-TAC002-XX0	SW. TACT VERT (H=4MM L=6.4MM)	C	6	S001A, S002A, S003A, S004A, S005A, S006A		
08-02970T-KEY	ASSY - KEY BD	46-35116H-02X	HS 2P22 1200 TJC3-2Y/SCN-2Y	C	1	P001D	FOR RECEIVER BD	
08-02970T-IRY	ASSY - RECEIVER BD	18-CB0470-JNX	RES. C.F. 47 OHM 1/6W +/-5%	C	1	R070A	P001C	

Sheet1

08-02970T-IRY	ASSY - RECEIVER BD	18-CB0471-JNX	RES. C.F. 470 OHM 1/6W +/-5%	C	1	R033B	
08-02970T-IRY	ASSY - RECEIVER BD	25-BCB470-M1X	CAP. ELEC 47 UF 16V +/-20%	C	1	C070A	
08-02970T-IRY	ASSY - RECEIVER BD	62-313930-1HA	LED HOLDER	C	1		
08-02970T-IRY	ASSY - RECEIVER BD	14-LED05R-XX0	LED HFR105 (5MM)	C	1	D1001A	
08-02970T-IRY	ASSY - RECEIVER BD	18-CB0102-JNX	RES. C.F. 1K OHM 1/6W +/-5%	C	1	R033A	
08-02970T-IRY	ASSY - RECEIVER BD	46-30407H-05X	HS UL2468#24 5C/TS 180 TJC3-5Y	C	1	P001B	FOR M. BD P001
08-02970T-IRY	ASSY - RECEIVER BD	46-33079W-02X	PIN BASE *2 TJC3-2A	C	1	P001C	FOR KEY BD P001D
08-02970T-IRY	ASSY - RECEIVER BD	40-2970UA-IRB	P.C.B. RECEIVER BD	C	1		
08-02970T-IRY	ASSY - RECEIVER BD	41-WJ0060-B00	WIRE BARE JUMPER 6MM	C	2	J01A, J02A	
08-02970T-IRY	ASSY - RECEIVER BD	11-IRR002-1X0	IR RECEIVER HS0038B	C	1	FOR IR1001A	
08-02988T-CR2	ASSY - CRT BD (ORION)	18-FE0272-JNX	RES. M.O. 2.7K OHM 1/2W +/-5%	C	3	R519, R520, R521	
08-02988T-CR2	ASSY - CRT BD (ORION)	18-CB0102-JNX	RES. C.F. 1K OHM 1/6W +/-5%	C	1	R515	
08-02988T-CR2	ASSY - CRT BD (ORION)	18-CB0272-JNX	RES. C.F. 2.7K OHM 1/6W +/-5%	C	1	R514	
08-02988T-CR2	ASSY - CRT BD (ORION)	18-CB0561-JNX	RES. C.F. 560 OHM 1/6W +/-5%	C	3	R501, R505, R510	
08-02988T-CR2	ASSY - CRT BD (ORION)	18-CB0681-JNX	RES. C.F. 680 OHM 1/6W +/-5%	C	8	R502, R503, R506, R508, R509, R511, R513, R522	
08-02988T-CR2	ASSY - CRT BD (ORION)	18-FG0183-JHX	RES. M.O. 18K OHM 2W +/-5%	C	3	R516, R517, R518	
08-02988T-CR2	ASSY - CRT BD (ORION)	25-BLA100-M1X	CAP. ELEC 10 UF 250V +/-20%	C	1	C504	
08-02988T-CR2	ASSY - CRT BD (ORION)	35-237250-00X	FERR. BEAD HF70	C	2	FOR C508 (L505 & L506)	
08-02988T-CR2	ASSY - CRT BD (ORION)	40-2980UA-CRA	P.C.B. CRT BD	C	1		
08-02988T-CR2	ASSY - CRT BD (ORION)	41-WJ0060-B00	WIRE BARE JUMPER 6MM	C	3	R504, R507, R512	
08-02988T-CR2	ASSY - CRT BD (ORION)	41-WJ0075-B00	WIRE BARE JUMPER 7.5MM	C	1	J503	
08-02988T-CR2	ASSY - CRT BD (ORION)	47-316380-007	CRT SOCKET GZS10-301H	C	1	S501	
08-02988T-CR2	ASSY - CRT BD (ORION)	10-1N4148-ABX	DIODE 1N4148 (SWITCHING)	C	3	D501, D502, L501	
08-02988T-CR2	ASSY - CRT BD (ORION)	46-10967W-01X	PIN BASE *1 TJC1-1A	C	1	P501	FOR CRT GROUNDING HOUS.
08-02988T-CR2	ASSY - CRT BD (ORION)	11-A562TM-0BX	TRANSISTOR 2SA562TM-0	C	1	Q507	
08-02988T-CR2	ASSY - CRT BD (ORION)	11-SC1815-YBX	TRANSISTOR 2SC1815Y	C	3	Q502, Q504, Q506	
08-02988T-CR2	ASSY - CRT BD (ORION)	11-SC2611-0AX	TRANSISTOR 2SC2611	H	3	Q501, Q503, Q505	

Sheet1

08-02988T-CR2	ASSY - CRT BD (ORION)	26-EBP103-ZFX	CAP. CER 0.01UF 50V +80-20% F	H	2	C508, C509	
08-02988T-CR2	ASSY - CRT BD (ORION)	26-EBP391-JCX	CAP. CER. 390PF 50V +/-5% CH	H	1	C501	
08-02988T-CR2	ASSY - CRT BD (ORION)	26-EBP471-JCX	CAP. CER 470 PF 50V +/-5% CH	H	2	C502, C503	
08-02988T-CR2	ASSY - CRT BD (ORION)	46-30615H-04X	HS 4P24 460 F/W TJC3-4Y/SCN-4	C	1	P502	FOR M. BD P421
08-02988T-CR2	ASSY - CRT BD (ORION)	41-WJ0050-B00	WIRE BARE JUMPER 5MM	C	2	L503, L504	
08-02988T-CR2	ASSY - CRT BD (ORION)	46-37030H-05X	HS 5P 2468#24 450 TJC3-5Y/SCN	C	1	P503	FOR M. BD P201
08-02988T-CR2	ASSY - CRT BD (ORION)	34-R220K2-1BX	COIL CHOKE 22 UH +/-10%	C	1	L502	
08-02988T-CR2	ASSY - CRT BD (ORION)	25-BCA471-M1X	CAP. ELEC 470 UF 16V +/-20%	C	1	C506	
08-02988T-CR2	ASSY - CRT BD (ORION)	26-AMK182-KRX	CAP. CER 1800PF 2KV +/-10% R	C	1	C505	
08-02988T-VMY	ASSY - VM BD	25-BJA330-M1X	CAP. ELEC 33 UF 160V +/-20%	C	1	C568	
08-02988T-VMY	ASSY - VM BD	26-AIC560-JZX	CAP. CER 56 PF 500V +/-5% SL	C	1	C571	
08-02988T-VMY	ASSY - VM BD	18-FE0121-JNX	RES. M.O. 120 OHM 1/2W +/-5%	C	1	R584	
08-02988T-VMY	ASSY - VM BD	18-CD0279-JNX	RES. C.F. 2.7 OHM 1/4W +/-5%	C	2	R593, R594	
08-02988T-VMY	ASSY - VM BD	25-BDB100-M1X	CAP. ELEC 10 UF 25V +/-20%	C	4	C551, C558, C561, C563	
08-02988T-VMY	ASSY - VM BD	25-BDB101-M1X	CAP. ELEC 100 UF 25V +/-20%	C	1	C557	
08-02988T-VMY	ASSY - VM BD	25-BDB220-M1X	CAP. ELEC 22 UF 25V +/-20%	C	1	C553	
08-02988T-VMY	ASSY - VM BD	25-BDB221-M1X	CAP. ELEC 220 UF 25V +/-20%	C	1	C552	
08-02988T-VMY	ASSY - VM BD	25-BFB470-M1X	CAP. ELEC 47 UF 50V +/-20%	C	1	C556	
08-02988T-VMY	ASSY - VM BD	40-2980UA-VMB	P.C.B. VM BD	C	1		
08-02988T-VMY	ASSY - VM BD	18-CB0103-JNX	RES. C.F. 10K OHM 1/6W +/-5%	C	3	R551, R552, R564	
08-02988T-VMY	ASSY - VM BD	18-CB0122-JNX	RES. C.F. 1.2K OHM 1/6W +/-5%	C	3	R582, R585, R590	
08-02988T-VMY	ASSY - VM BD	18-CB0123-JNX	RES. C.F. 12K OHM 1/6W +/-5%	C	4	R563, R574, R578, R589	
08-02988T-VMY	ASSY - VM BD	18-CB0124-JNX	RES. C.F. 120K OHM 1/6W +/-5%	C	1	R577	
08-02988T-VMY	ASSY - VM BD	18-CB0151-JNX	RES. C.F. 150 OHM 1/6W +/-5%	C	1	R568	
08-02988T-VMY	ASSY - VM BD	18-CB0152-JNX	RES. C.F. 1.5K OHM 1/6W +/-5%	C	2	R586, R591	
08-02988T-VMY	ASSY - VM BD	18-CB0181-JNX	RES. C.F. 180 OHM 1/6W +/-5%	C	2	R556, R558	
08-02988T-VMY	ASSY - VM BD	18-CB0182-JNX	RES. C.F. 1.8K OHM 1/6W +/-5%	C	5	R554, R555, R557, R575, R581	
08-02988T-VMY	ASSY - VM BD	18-CB0203-JNX	RES. C.F. 20K OHM 1/6W +/-5%	C	1	R572	
08-02988T-VMY	ASSY - VM BD	18-CB0221-JNX	RES. C.F. 220 OHM 1/6W +/-5%	C	1	R583	
08-02988T-VMY	ASSY - VM BD	18-CB0222-JNX	RES. C.F. 2.2K OHM 1/6W +/-5%	C	1	R553	
08-02988T-VMY	ASSY - VM BD	18-CB0271-JNX	RES. C.F. 270 OHM 1/6W +/-5%	C	1	R562	
08-02988T-VMY	ASSY - VM BD	18-CB0331-JNX	RES. C.F. 330 OHM 1/6W +/-5%	C	2	R565, R576	
08-02988T-VMY	ASSY - VM BD	18-CB0563-JNX	RES. C.F. 56K OHM 1/6W +/-5%	C	1	R573	
08-02988T-VMY	ASSY - VM BD	18-CB0681-JNX	RES. C.F. 680 OHM 1/6W +/-5%	C	2	R561, R566	
08-02988T-VMY	ASSY - VM BD	18-CB0683-JNX	RES. C.F. 68K OHM 1/6W +/-5%	C	2	R587, R588	

Sheet1

08-02988T-VMY	ASS'Y - VM BD	18-CB0821-JNX	RES. C.F. 820 OHM 1/6W +/-5%	C	1	R567	
08-02988T-VMY	ASS'Y - VM BD	18-CD0122-JNX	RES. C.F. 1.2K OHM 1/4W +/-5%	C	1	R571	
08-02988T-VMY	ASS'Y - VM BD	18-CE0470-JNX	RES. C.F. 47 OHM 1/2W +/-5%	C	2	R592, R595	
08-02988T-VMY	ASS'Y - VM BD	25-BCB101-M1X	CAP. ELEC 100 UF 16V +/-20%	C	2	C567, C569	
08-02988T-VMY	ASS'Y - VM BD	26-AIC472-KBX	CAP. CER 4700 PF 500V +/-10% B	C	2	C565, C566	
08-02988T-VMY	ASS'Y - VM BD	34-A608K6-1BX	COIL CHOKE 0.6 UH +/-10%	C	1	L554	
08-02988T-VMY	ASS'Y - VM BD	34-R101J2-0EX	COIL PL - 100 UH +/-5%	C	2	L551, L555	
08-02988T-VMY	ASS'Y - VM BD	34-R390J2-0EX	COIL PL - 39 UH +/-5%	C	1	L553	
08-02988T-VMY	ASS'Y - VM BD	41-WJ0075-B00	WIRE BARE JUMPER 7.5MM	C	1	J701	
08-02988T-VMY	ASS'Y - VM BD	67-H34464-1A0	HEAT SINK (H=40MM)	C	2	FOR Q560 & Q561	
08-02988T-VMY	ASS'Y - VM BD	10-1N4148-ABX	DIODE 1N4148 (SWITCHING)	C	6	D552, D553, D554, D555, D556, D557	
08-02988T-VMY	ASS'Y - VM BD	10-TFR104-FBX	DIODE TFR104 (FAST RECOVERY)	C	2	D558, D559	
08-02988T-VMY	ASS'Y - VM BD	11-SA1015-YBX	TRANSISTOR 2SA1015Y	C	2	Q551, Q556	
08-02988T-VMY	ASS'Y - VM BD	11-SA1837-0AX	TRANSISTOR 2SA1837	H	1	Q560	
08-02988T-VMY	ASS'Y - VM BD	11-SC1815-YBX	TRANSISTOR 2SC1815Y	C	6	Q553, Q554, Q555, Q557, Q558, Q559	
08-02988T-VMY	ASS'Y - VM BD	11-SC4793-0AX	TRANSISTOR 2SC4793 (VM)	H	1	Q561	
08-02988T-VMY	ASS'Y - VM BD	11-SK2541-0BX	TRANSISTOR 2SK2541 (N-CHANNEL)	H	1	Q552	
08-02988T-VMY	ASS'Y - VM BD	26-EBP680-JZX	CAP. CER 68 PF 50V 5% SL TUBU	H	3	C555, C562, C564	
08-02988T-VMY	ASS'Y - VM BD	27-AGQ104-J0X	CAP. M.PP 0.1 UF 250V +/-5%	C	1	C570	
08-02988T-VMY	ASS'Y - VM BD	63-W26080-0B4	S/T SCREW W 2.6 X 8 OB	C	2	MTG VM BD TO CRT	
08-02988T-VMY	ASS'Y - VM BD	64-B30080-104	M/C SCREW B 3 X 8	C	2	FOR Q561 & Q560	
08-02988T-VMY	ASS'Y - VM BD	46-32274H-03X	HS 3P24 380 TJC3-3Y/SCN-3Y	C	1	P504	FOR M. BD P401
08-02988T-VMY	ASS'Y - VM BD	46-32535H-04X	HS 4P24 550MM TJC3-4Y/SCN-4Y	C	1	P505	FOR M. BD P202
08-02988T-VMY	ASS'Y - VM BD	46-33079W-03X	PIN BASE *3 TJC3-3A	C	1	P506	FOR CRT VM
08-02988T-VMY	ASS'Y - VM BD	18-FG0221-JHX	RES. M.O. 220 OHM 2W +/-5%	C	1	R596	
08-02988T-VMY	ASS'Y - VM BD	34-A240K2-11X	COIL CHOKE 24 UH +/-10% 5MM	C	1	L552	
08-02988T-VMY	ASS'Y - VM BD	43-YBL25E-180	DELAY LINE LUMI YBL-25E18X	C	1	T551	
08-02988T-DFY	ASS'Y - DYNAMIC FOCUS	40-2980UA-DPC	P.C.B. DPC BD	C	1		
08-02988T-DFY	ASS'Y - DYNAMIC FOCUS	27-AGQ224-J0X	CAP. M.PP 0.22 UF 250V +/-5%	C	1	C1504	
08-02988T-DFY	ASS'Y - DYNAMIC FOCUS	27-AGQ824-J0X	CAP. M.PP 0.82 UF 250V +/-5%	C	1	C1506	
08-02988T-DFY	ASS'Y - DYNAMIC FOCUS	18-FG0120-JHX	RES. M.O. 12 OHM 2W +/-5%	C	2	R1501, R1502	
08-02988T-DFY	ASS'Y - DYNAMIC FOCUS	46-20598W-04X	PIN BASE *4 TJC1-4A	C	1	P1501	FOR M.BD A1'A2&A5&A6
08-02988T-DFY	ASS'Y - DYNAMIC FOCUS	64-B30080-104	M/C SCREW B 3 X 8	C	2	MTG D.F BD & IC301(H. SINK)	
08-02988T-DFY	ASS'Y - DYNAMIC FOCUS	65-Z30050-23M	NUT M 3	C	2		

Sheet1

08-02988T-DFY	ASSY - DYNAMIC FOCUS	36-DFC001-XX0	FOCALIZING TRANS.	C	1	T1501		
08-29884T-CFN	ASSY - COMB FILTER BD	40-2900NT-CSB	P.C.B. COMB FILTER & SECAM BD	C	1			
08-29884T-CFN	ASSY - COMB FILTER BD	41-WJ0065-B00	WIRE BARE JUMPER 6.5MM	C	1	J1111		
08-29884T-CFN	ASSY - COMB FILTER BD	41-WJ0100-B00	WIRE BARE JUMPER 10MM	C	1	J1120		
08-29884T-CFN	ASSY - COMB FILTER BD	67-257870-1T0	BRACKET IF BD	C	1			
08-29884T-CFN	ASSY - COMB FILTER BD	67-257870-2T0	BRACKET IF BD	C	1			
08-29884T-CFN	ASSY - COMB FILTER BD	18-CB0103-JNX	RES. C.F. 10K OHM 1/6W +/-5%	C	1	R1112		
08-29884T-CFN	ASSY - COMB FILTER BD	18-CB0472-JNX	RES. C.F. 4.7K OHM 1/6W +/-5%	C	2	R1111, R1115		
08-29884T-CFN	ASSY - COMB FILTER BD	34-R100J2-0EX	COIL PL - 10 UH +/-5%	C	2	L1111, L1112		
08-29884T-CFN	ASSY - COMB FILTER BD	41-WJ0090-B00	WIRE BARE JUMPER 9MM	C	2	J1115, J1118		
08-29884T-CFN	ASSY - COMB FILTER BD	41-WJ0070-B00	WIRE BARE JUMPER 7MM	C	1	J1117		
08-29884T-CFN	ASSY - COMB FILTER BD	18-CB0512-JNX	RES. C.F. 5.1K OHM 1/6W +/-5%	C	1	R1113		
08-29884T-CFN	ASSY - COMB FILTER BD	25-BCB470-M1X	CAP. ELEC 47 UF 16V +/-20%	C	2	C1113, C1115		
08-29884T-CFN	ASSY - COMB FILTER BD	25-BFB479-M1X	CAP. ELEC 4.7 UF 50V +/-20%	C	1	C1121		
08-29884T-CFN	ASSY - COMB FILTER BD	18-CB0820-JNX	RES. C.F. 82 OHM 1/6W +/-5%	C	1	R1116		
08-29884T-CFN	ASSY - COMB FILTER BD	41-WJ0060-B00	WIRE BARE JUMPER 6MM	C	1	J1121		
08-29884T-CFN	ASSY - COMB FILTER BD	26-EBP102-KBX	CAP. CER 1000 PF 50V +/-10% B	H	1	C1123		
08-29884T-CFN	ASSY - COMB FILTER BD	26-EBP103-ZFX	CAP. CER 0.01UF 50V +80-20% F	H	5	C1114, C1116, C1117, C1118, C1119		
08-29884T-CFN	ASSY - COMB FILTER BD	26-EBP104-ZFX	CAP. CER 0.1UF 50V +80-20% F	H	1	C1112		
08-29884T-CFN	ASSY - COMB FILTER BD	26-EBP150-JZX	CAP. CER 15 PF 50V 5% SL TUBU	H	2	C1120, C1122		
08-29884T-CFN	ASSY - COMB FILTER BD	26-EBP222-KBX	CAP. CER 2200PF 50V +/-10% B	H	1	C1111		
08-29884T-CFN	ASSY - COMB FILTER BD	46-21550W-14X	HEADER *14 TS14B-SQ-1	C	1	P1111	FOR M. BD P230	
08-29884T-CFN	ASSY - COMB FILTER BD	11-SK2541-0BX	TRANSISTOR 2SK2541 (N-CHANNEL)	H	2	Q1111, Q1112		

Sheet1

08-29884T-CFN	ASSY - COMB FILTER BD	13-0TDA91-81P	IC TDA9181 (COMB FILTER)		1	IC1101	
08-02916T-NIY	ASSY - NICAM BD	27-MBC334-J0X	CAP. M.P.E 0.33UF 50V +/-5%	C	2	C1029, C1030	
08-02916T-NIY	ASSY - NICAM BD	27-PBC822-J0X	CAP. P.E. 8200 PF 50V +/-5%	C	2	C1008, C1009	
08-02916T-NIY	ASSY - NICAM BD	13-MSP34C-HGP	IC MSP34CHG B5	H	1	IC1001	
08-02916T-NIY	ASSY - NICAM BD	18-CB0101-JNX	RES. C.F. 100 OHM 1/6W +/-5%	C	5	R1011, R1014, R1016, R1017, R1018	
08-02916T-NIY	ASSY - NICAM BD	18-CB0102-JNX	RES. C.F. 1K OHM 1/6W +/-5%	C	4	R1004, R1005, R1010, R1013	
08-02916T-NIY	ASSY - NICAM BD	18-CB0152-JNX	RES. C.F. 1.5K OHM 1/6W +/-5%	C	1	R1002	
08-02916T-NIY	ASSY - NICAM BD	18-CB0332-JNX	RES. C.F. 3.3K OHM 1/6W +/-5%	C	1	R1003	
08-02916T-NIY	ASSY - NICAM BD	18-CB0392-JNX	RES. C.F. 3.9K OHM 1/6W +/-5%	C	4	R1006, R1007, R1008, R1009	
08-02916T-NIY	ASSY - NICAM BD	18-CB0470-JNX	RES. C.F. 47 OHM 1/6W +/-5%	C	1	R1001	
08-02916T-NIY	ASSY - NICAM BD	26-ABC152-KBX	CAP. CER 1500 PF 50V +/-10% B	C	1	C1017	
08-02916T-NIY	ASSY - NICAM BD	34-R100J2-0EX	COIL PL - 10 UH +/-5%	C	1	L1001	
08-02916T-NIY	ASSY - NICAM BD	41-WJ0070-B00	WIRE BARE JUMPER 7MM	C	2	J1013, J1014	
08-02916T-NIY	ASSY - NICAM BD	41-WJ0100-B00	WIRE BARE JUMPER 10MM	C	1	J1012	
08-02916T-NIY	ASSY - NICAM BD	41-WJ0150-B00	WIRE BARE JUMPER 15MM	C	6	J1002, J1003, J1004, J1005, J1006, J1007	
08-02916T-NIY	ASSY - NICAM BD	45-OSC18M-4Y0	CRYSTAL 18.432M	C	1	X1001	
08-02916T-NIY	ASSY - NICAM BD	26-ABC272-KBX	CAP. CER 2700 PF 50V +/-10% B	C	2	C1006, C1007	
08-02916T-NIY	ASSY - NICAM BD	67-257870-1T0	BRACKET IF BD	C	1		
08-02916T-NIY	ASSY - NICAM BD	67-257870-2T0	BRACKET IF BD	C	1		
08-02916T-NIY	ASSY - NICAM BD	25-BCB100-M1X	CAP. ELEC 10 UF 16V +/-20%	C	5	C1003, C1014, C1015, C1016, C1022	
08-02916T-NIY	ASSY - NICAM BD	25-BCB470-M1X	CAP. ELEC 47 UF 16V +/-20%	C	2	C1001, C1013	
08-02916T-NIY	ASSY - NICAM BD	25-BFB109-M1X	CAP. ELEC 1 UF 50V +/-20%	C	1	C1005	
08-02916T-NIY	ASSY - NICAM BD	25-BFB339-M1X	CAP. ELEC 3.3 UF 50V +/-20%	C	1	C1020	
08-02916T-NIY	ASSY - NICAM BD	26-ABC339-CZX	CAP. CER 3.3 PF 50V +/-0.25 SL	C	2	C1026, C1027	
08-02916T-NIY	ASSY - NICAM BD	18-CB0472-JNX	RES. C.F. 4.7K OHM 1/6W +/-5%	C	2	R1019, R1020	
08-02916T-NIY	ASSY - NICAM BD	41-WJ0065-B00	WIRE BARE JUMPER 6.5MM	C	1	J1001	
08-02916T-NIY	ASSY - NICAM BD	41-WJ0075-B00	WIRE BARE JUMPER 7.5MM	C	1	J1008	
08-02916T-NIY	ASSY - NICAM BD	41-WJ0090-B00	WIRE BARE JUMPER 9MM	C	1	J1009	
08-02916T-NIY	ASSY - NICAM BD	11-SC1815-YBX	TRANSISTOR 2SC1815Y	C	3	Q1001, Q1002, Q1003	
08-02916T-NIY	ASSY - NICAM BD	26-EBP103-ZFX	CAP. CER 0.01UF 50V +80-20% F	H	1	C1002	
08-02916T-NIY	ASSY - NICAM BD	26-EBP104-ZFX	CAP. CER 0.1UF 50V +80-20% F	H	5	C1004, C1012, C1019, C1021, C1023	
08-02916T-NIY	ASSY - NICAM BD	26-EBP471-JCX	CAP. CER 470 PF 50V +/-5% CH	H	3	C1010, C1011, C1018	
08-02916T-NIY	ASSY - NICAM BD	26-EBP560-JCX	CAP CER 56PF 50V +/-5% CH	H	3	C1024, C1025, C1028	
08-02916T-NIY	ASSY - NICAM BD	46-21550W-12X	HEADER *12 TS12B-SQ-1 L=10MM	C	1	P1001	FOR M.BD P1200
08-02916T-NIY	ASSY - WOOFER	40-2900NT-NIC	P.C.B. NICAM BD	C	1		
08-03416T-W0Y	AMP PARTS	27-MBC474-J0X	CAP. M.P.E. 0.47 UF 50V +/-5%	C	2	C621, C623	

Sheet1

08-03416T-W0Y	ASSY - WOOFER AMP PARTS	27-PBC223-J0X	CAP. P.E. 0.022UF 50V +/-5%	C	1	C627		
08-03416T-W0Y	ASSY - WOOFER AMP PARTS	13-0TDA26-16S	IC TDA2616 (AUDIO O/P)	H	1	IC621		
08-03416T-W0Y	ASSY - WOOFER AMP PARTS	18-CB0102-JNX	RES. C.F. 1K OHM 1/6W +/-5%	C	2	R621, R625		
08-03416T-W0Y	ASSY - WOOFER AMP PARTS	18-CB0302-JNX	RES. C.F. 3K OHM 1/6W +/-5%	C	1	R624		
08-03416T-W0Y	ASSY - WOOFER AMP PARTS	18-CB0472-JNX	RES. C.F. 4.7K OHM 1/6W +/-5%	C	1	R623		
08-03416T-W0Y	ASSY - WOOFER AMP PARTS	18-CD0829-JNX	RES. C.F. 8.2 OHM 1/4W +/-5%	C	1	R626		
08-03416T-W0Y	ASSY - WOOFER AMP PARTS	67-H30705-2A0	HEAT SINK	C	1	FOR IC621		
08-03416T-W0Y	ASSY - WOOFER AMP PARTS	18-CB0331-JNX	RES. C.F. 330 OHM 1/6W +/-5%	C	1	R627		
08-03416T-W0Y	ASSY - WOOFER AMP PARTS	25-BCB101-M1X	CAP. ELEC 100 UF 16V +/-20%	C	1	C624		
08-03416T-W0Y	ASSY - WOOFER AMP PARTS	25-BEA102-M1X	CAP. ELEC 1000 UF 35V +/-20%	C	1	C642		
08-03416T-W0Y	ASSY - WOOFER AMP PARTS	41-WJ0100-B00	WIRE BARE JUMPER 10MM	C	1	J843		
08-03416T-W0Y	ASSY - WOOFER AMP PARTS	41-WJ0140-B00	WIRE BARE JUMPER 14MM	C	1	J841		
08-03416T-W0Y	ASSY - WOOFER AMP PARTS	25-BFB101-M1X	CAP. ELEC 100 UF 50V +/-20%	C	1	C626		
08-03416T-W0Y	ASSY - WOOFER AMP PARTS	18-CB0122-JNX	RES. C.F. 1.2K OHM 1/6W +/-5%	C	1	R620		
08-03416T-W0Y	ASSY - WOOFER AMP PARTS	18-CB0203-JNX	RES. C.F. 20K OHM 1/6W +/-5%	C	1	R622		
08-03416T-W0Y	ASSY - WOOFER AMP PARTS	25-BFB100-M1X	CAP. ELEC 10 UF 50V +/-20%	C	1	C667		
08-03416T-W0Y	ASSY - WOOFER AMP PARTS	41-WJ0050-B00	WIRE BARE JUMPER 5MM	C	1	C625		
08-03416T-W0Y	ASSY - WOOFER AMP PARTS	41-WJ0065-B00	WIRE BARE JUMPER 6.5MM	C	1	J552		
08-03416T-W0Y	ASSY - WOOFER AMP PARTS	41-WJ0075-B00	WIRE BARE JUMPER 7.5MM	C	1	J743		
08-03416T-W0Y	ASSY - WOOFER AMP PARTS	18-CB0223-JNX	RES. C.F. 22K OHM 1/6W +/-5%	C	1	R635		
08-03416T-W0Y	ASSY - WOOFER AMP PARTS	18-CB0183-JNX	RES. C.F. 18K OHM 1/6W +/-5%	C	2	R671, R672		
08-03416T-W0Y	ASSY - WOOFER AMP PARTS	11-SC1815-YBX	TRANSISTOR 2SC1815Y	C	1	Q621		
08-03416T-W0Y	ASSY - WOOFER AMP PARTS	26-EBP102-KBX	CAP. CER 1000 PF 50V +/-10% B	H	3	C622, C629, C676		

Sheet1

08-03416T-W0Y	ASSY - WOOFER AMP PARTS	26-EBP104-ZFX	CAP. CER 0.1UF 50V +80-20% F	H	3	C628, C636A, C641	
08-03416T-W0Y	ASSY - WOOFER AMP PARTS	64-P30080-104	M/C SCREW P 3 X 8	C	2	FOR IC621	
08-03416T-W0Y	ASSY - WOOFER AMP PARTS	65-Z30050-23M	NUT M 3	C	2	FOR IC621	
08-02970T-AVY	ASSY - SIDE AV BD	47-RCA002-XX0	JACK RCA AV-3.2-1L-F3 WHITE	C	1	P952L	
08-02970T-AVY	ASSY - SIDE AV BD	47-RCA003-XX0	JACK RCA AV-3.2-1L-F1 YELLOW	C	1	P953V	
08-02970T-AVY	ASSY - SIDE AV BD	47-RCA017-XX0	JACK RCA 101P RED/SW	C	1	P951R	
08-02970T-AVY	ASSY - SIDE AV BD	63-W30100-AB4	S/T SCREW W 3 X 10 AB	C	2	MTG SIDE AV BD & REAR CAB.	
08-02970T-AVY	ASSY - SIDE AV BD	40-2970UA-SIB	P.C.B. SIDE AV BD	C	1		
08-02970T-AVY	ASSY - SIDE AV BD	41-WJ0050-B00	WIRE BARE JUMPER 5MM	C	1	FOR P1 - P3 OF IC951	
08-02970T-AVY	ASSY - SIDE AV BD	41-WJ0060-B00	WIRE BARE JUMPER 6MM	C	1	JM13A	
08-02970T-AVY	ASSY - SIDE AV BD	41-WJ0065-B00	WIRE BARE JUMPER 6.5MM	C	3	JM13B, R952, R953	
08-02970T-AVY	ASSY - SIDE AV BD	41-WJ0070-B00	WIRE BARE JUMPER 7MM	C	1	R967	
08-02970T-AVY	ASSY - SIDE AV BD	41-WJ0100-B00	WIRE BARE JUMPER 10MM	C	1	J961	
08-02970T-AVY	ASSY - SIDE AV BD	41-WJ0050-B00	WIRE BARE JUMPER 5MM	C	1	FOR Q963 (B - E)	
08-02970T-AVY	ASSY - SIDE AV BD	41-WJ0050-B00	WIRE BARE JUMPER 5MM	C	3	C951, C954, C955	
08-02970T-AVY	ASSY - SIDE AV BD	46-37031H-06X	HS 6P 2468#24 500 TJC3-6Y/SCN	C	1	P902	P2 - P7 FOR M. BD P003
08-HS46F0-M13C	ASSY - IR HANDSET (NI/BG/SW)	67-26968X-0E2	BATT. TERMINAL (+/-)	C	1		
08-HS46F0-M13C	ASSY - IR HANDSET (NI/BG/SW)	67-310280-0E2	SPRING - BATTERY (-)	C	1		
08-HS46F0-M13C	ASSY - IR HANDSET (NI/BG/SW)	67-310290-0E2	SPRING - BATTERY (+)	C	1		
08-HS46F0-M13C	ASSY - IR HANDSET (NI/BG/SW)	74-009022-60C	POLYBAG HANDSET (9CMX22CM)	C	1		
08-HS46F0-M13C	ASSY - IR HANDSET (NI/BG/SW)	49-HS46F0-00X	RUBBER PAD KEYS	C	1		
08-HS46F0-M13C	ASSY - IR HANDSET (NI/BG/SW)	55-HS46FB-0HA	CASE LOWER - REMOTE HANDSET	C	1		
08-HS46F0-M13C	ASSY - IR HANDSET (NI/BG/SW)	55-HS46FD-0HA	DOOR BATT. - REMOTE HANDSET	C	1		
08-HS46F0-M13C	ASSY - IR HANDSET (NI/BG/SW)	55-HS46FT-0HA	CASE UPPER - REMOTE HANDSET	C	1		
08-HS46F0-M13C	ASSY - IR HANDSET (NI/BG/SW)	58-HS46F2-MUI	INLAY IR TRANS.BD (NI/BG/SW)	C	1		
08-HS46F0-M13C	ASSY - IR HANDSET (NI/BG/SW)	18-CB0229-JNX	RES. C.F. 2.2 OHM 1/6W +/-5%	C	1	R1502	
08-HS46F0-M13C	ASSY - IR HANDSET (NI/BG/SW)	18-CB0682-JNX	RES. C.F. 6.8K OHM 1/6W +/-5%	C	1	R1501	
08-HS46F0-M13C	ASSY - IR HANDSET (NI/BG/SW)	40-2909NT-RMB	P.C.B. REMOTE HANDSET	C	1		
08-HS46F0-M13C	ASSY - IR HANDSET (NI/BG/SW)	10-1N4148-ABX	DIODE 1N4148 (SWITCHING)	C	5	D1502, D1503, D1504, D1505, D1507	

Sheet1

08-HS46F0-M13C	ASSY - IR HANDSET (NI/BG/SW)	11-0BC337-0BX	TRANSISTOR BC337-40 (NPN)	C	1	Q1501	
08-HS46F0-M13C	ASSY - IR HANDSET (NI/BG/SW)	14-IRE05B-XX0	INFARED EMITTING DIODE	C	1	D1501	
08-HS46F0-M13C	ASSY - IR HANDSET (NI/BG/SW)	25-HBB470-M1X	CAP. ELEC 47UF 10V +/-20%	C	1	C1503	
08-HS46F0-M13C	ASSY - IR HANDSET (NI/BG/SW)	26-EBP101-JCX	CAP. CER 100 PF 50V +/-5% CH	H	2	C1501, C1502	
08-HS46F0-M13C	ASSY - IR HANDSET (NI/BG/SW)	45-COS455-KY0	CER RESONATOR 455 KHZ	C	1	X1501	
08-HS46F0-M13C	ASSY - IR HANDSET (NI/BG/SW)	63-B26060-BT2	S/T SCREW B 2.6 X 6 BT	C	1		
08-HS46F0-M13C	ASSY - IR HANDSET (NI/BG/SW)	13-TC9028-23B	IC TC9028-023 (IR TRANS.)		1	IC1501	
08-29704T-FCN	ASSY - FRONT CABINET	02-GND029-XX0	ASSY-CRT GND WIRE & HOUS.(29)	C	1		
08-29704T-FCN	ASSY - FRONT CABINET	44-29RFLS-OR3A	CRT A68QDL082X012 (B)(AUST)	H	1	CRT01	
08-29704T-FCN	ASSY - FRONT CABINET	46-14026H-02X	HS 2P24 570/7 F/W S11-02H	C	1	P601H	FOR M. BD P601
08-29704T-FCN	ASSY - FRONT CABINET	46-27580H-02X	HS 2P22 600/7 F/W TJC3-2Y	C	1	P602H	FOR M. BD P602
08-29704T-FCN	ASSY - FRONT CABINET	46-35102H-03X	HS 3P22 200/5 TJC3-3Y	C	1	FOR VM BD P506	
08-29704T-FCN	ASSY - FRONT CABINET	55-2970FC-0AN	FRONT CABINET (94V-0 100%)	C	1		
08-29704T-FCN	ASSY - FRONT CABINET	56-2970FB-0HA	PUSH BUTTON	C	1		
08-29704T-FCN	ASSY - FRONT CABINET	56-2970LE-0HC	LENS - SENSOR	C	1		
08-29704T-FCN	ASSY - FRONT CABINET	56-2970PK-0HA	POWER KNOB	C	1		
08-29704T-FCN	ASSY - FRONT CABINET	56-2970SL-1HN	SPEAKER GRILLE (LEFT)	C	1		
08-29704T-FCN	ASSY - FRONT CABINET	56-2970SR-1HN	SPEAKER GRILLE (RIGHT)	C	1		
08-29704T-FCN	ASSY - FRONT CABINET	63-B30080-BT4	S/T SCREW 3 X 8 BT	C	1	MTG LENS TO F .CAB	
08-29704T-FCN	ASSY - FRONT CABINET	63-H60300-AB4	S/T SCREW H 6 X 30 AB	C	4	MTG CRT TO F.CAB	
08-29704T-FCN	ASSY - FRONT CABINET	63-W30100-AB4	S/T SCREW W 3 X 10 AB	C	3	MTG KEY BD & RECEIVE BD TO F.CAB	
08-29704T-FCN	ASSY - FRONT CABINET	63-W30100-AB4	S/T SCREW W 3 X 10 AB	C	3	MTG PUSH BUTTON TO F.CAB	
08-29704T-FCN	ASSY - FRONT CABINET	63-W30140-HS4	S/T SCREW W 3 X 14 HS	C	8	MTG SPEAK TO F.CAB	

Sheet1

08-29704T-FCN	ASSY - FRONT CABINET	65-A60180-20E	EXT. TOOTH WASHTER 6 X 18 X 2	C	4	MTG CRT TO F.CAB	
08-29704T-FCN	ASSY - FRONT CABINET	54-113971-0UE	PVC TUBE #6 L=160MM	H	2	FOR SPK.WIRE	
08-29704T-FCN	ASSY - FRONT CABINET	18-CB0475-JNX	RES. C.F. 4.7M OHM 1/6W +/-5%	C	1	R1	FOR CRT(GND)
08-29704T-FCN	ASSY - FRONT CABINET	36-294960-017	DEGAUSSING XC-74A-3100-TCL 29"	C	1		
08-29704T-FCN	ASSY - FRONT CABINET	41-BF0400-1BB	WIRE UL 1007 #24 400MM BROWN	C	1	FOR R1	
08-29704T-FCN	ASSY - FRONT CABINET	42-61308F-XX2	SPEAKER 8 OHM 8W	C	2	SP601, SP602	
08-29704T-FCN	ASSY - FRONT CABINET	54-205140-000	SPACER CRT MOUNTING T=2MM	C	4	MTG. CRT TO F.CAB	
08-29704T-FCN	ASSY - FRONT CABINET	54-237931-0X0	HEAT SHRINKABLE TUBE L=2CM	C	1	FOR 4.7M	
08-29704T-FCN	ASSY - FRONT CABINET	54-295210-0V0	FIBER WASHER	C	3	FOR SCREW	
08-29704T-FCN	ASSY - FRONT CABINET	59-130460-00X	RUBBER PAD (25MMX7MM)	C	4		
08-29704T-FCN	ASSY - FRONT CABINET	59-312160-000	SPONGE CUSHION	C	8	FOR SPK TO FRONT CABINET	
08-29704T-FCN	ASSY - FRONT CABINET	62-10654X-00F	UNI - TIE (2.5MMX95MM)	C	13		
08-29704T-FCN	ASSY - FRONT CABINET	62-216340-0UA	HOLDER POWER CORD	C	1		
08-29704T-FCN	ASSY - FRONT CABINET	62-310020-0HN	POST CATCHER A	C	4		
08-29704T-FCN	ASSY - FRONT CABINET	62-321780-0HG	CRT COIL MTG 25"/29"	C	4	FOR CRT	
08-29704T-FCN	ASSY - FRONT CABINET	67-105580-0E2	SOLDERING TAG	C	1	FOR R1	
08-29704T-FCN	ASSY - FRONT CABINET	67-216790-0E0	SPRING CRT 6MMX50MMX0.6MM	C	2		
08-29704T-FCN	ASSY - FRONT CABINET	67-249700-0E0	SPRING PWR KNOB	C	1		
08-29704T-RCN	ASSY - REAR CABINET	46-27322H-02X	HS 2P24 360/7 F/W SM-2P WH	C	1	FOR 46-32282H-02X (M.BD P621A)	
08-29704T-RCN	ASSY - REAR CABINET	55-2970RC-0AN	REAR CABINET (94V-0 100%)	C	1		
08-29704T-RCN	ASSY - REAR CABINET	56-356910-0HN	WOOFER COVERPLATE	C	1		
08-29704T-RCN	ASSY - REAR CABINET	58-2970MP-0UI	PLATE MODEL NO.	C	1		
08-29704T-RCN	ASSY - REAR CABINET	63-B40200-AB3	S/T SCREW B 4 X 20 AB	C	4	MTG WOOFER BOX TO R.CAB	

Sheet1

08-29704T-RCN	ASSY - REAR CABINET	63-B40200-AB3	S/T SCREW B 4 X 20 AB	C	4	MTG WOOFER PIPE TO R.CAB		
08-29704T-RCN	ASSY - REAR CABINET	63-B40250-AB3	S/T SCREW B 4 X 25 AB (BLACK)	C	10	MTG R.CAB TO F.CAB		
08-29704T-RCN	ASSY - REAR CABINET	63-F30100-BT3	S/T SCREW F 3 X 10 BT (BLACK)	C	2	MTG RCA JACK TO R.CAB		
08-29704T-RCN	ASSY - REAR CABINET	63-W35120-AB4	S/T SCREW W 3.5 X 12 AB	C	4	MTG WOOFER COVERPLATE TO R.CAB		
08-29704T-RCN	ASSY - REAR CABINET	64-B30100-102	M/C SCREW B 3 X 10	C	3	MTG TERMINAL BKT. TO R.CAB		
08-29704T-RCN	ASSY - REAR CABINET	65-A60180-20E	EXT. TOOTH WASHTER 6 X 18 X 2	C	4	MTG WOOFER BOX TO R.CAB		
08-29704T-RCN	ASSY - REAR CABINET	42-14016H-XX0	SPEAKER 16 OHM 15W	C	1	SP603		
08-29704T-RCN	ASSY - REAR CABINET	58-357340-1UI	INLAY REAR "VGA"	C	1			
08-29704T-RCN	ASSY - REAR CABINET	58-2970RI-5UI	INLAY TERM. BD (RCA-6 + Y/C)	C	1			
08-29704T-RCN	ASSY - REAR CABINET	58-2970SI-1UI	INLAY SIDE AV (RCA-3)	C	1			
08-29704T-RCN	ASSY - REAR CABINET	54-114000-00X	FELT TAPE 150X19MM	C	13	FOR SPK TO R.CAB		
08-29704T-RCN	ASSY - REAR CABINET	54-205140-000	SPACER CRT MOUNTING T=2MM	C	4	FOR HOLDER		
08-29704T-RCN	ASSY - REAR CABINET	54-354210-000	SPONGE	C	2			
08-29704T-RCN	ASSY - REAR CABINET	59-130460-00X	RUBBER PAD (25MMX7MM)	C	2			
08-29704T-RCN	ASSY - REAR CABINET	59-345380-000	RUBBER PAD	C	4			
08-29704T-RCN	ASSY - REAR CABINET	62-354130-0CN	WOOFER BOX	C	1			
08-29704T-RCN	ASSY - REAR CABINET	62-354140-0HN	WOOFER HOLDER (1)	C	1			
08-29704T-RCN	ASSY - REAR CABINET	62-354150-0HN	WOOFER HOLDER (2)	C	1			
08-29704T-RCN	ASSY - REAR CABINET	62-357350-0HI	WOOFER HEADER	C	1			
08-29704T-RCN	ASSY - REAR CABINET	62-357360-1HI	75MM WOOFER PIPE	C	1			
08-29704T-RCN	ASSY - REAR CABINET	62-357360-2HI	WOOFER PIPE (3)	C	1			
08-29704T-RCN	ASSY - REAR CABINET	67-339170-0B0	NUT M3	C	3			
08-29704T-RCN	ASSY - REAR CABINET	63-W35150-AB4	S/T SCREW W 3.5X1.5 AB	C	4	FOR WOOFER TO WOOFER BOX		

Sheet1

08-29704T-PAN	ASSY - PACKING	72-29704T-E05	OPERATION MANUAL	C	1		
08-29704T-PAN	ASSY - PACKING	74-130130-80HAA	POLYBAG W/SUFFOCATION WARNING	C	1		
08-29704T-PAN	ASSY - PACKING	76-A2970U-0AT	CARTON BOX	C	1		
08-29704T-PAN	ASSY - PACKING	49-341790-BAT	BATTERY AA SIZE	C	2		
08-29704T-PAN	ASSY - PACKING	74-022032-6WE	POLYBAG (22CMX32CMX0.06MM)	C	1	FOR OPERATION MANUAL	
08-29704T-PAN	ASSY - PACKING	75-2970LL-CC0	POLYFOAM (LL)	C	1		
08-29704T-PAN	ASSY - PACKING	75-2970LR-CC0	POLYFOAM (LR)	C	1		
08-29704T-PAN	ASSY - PACKING	75-2970UL-CC0	POLYFOAM (UL)	C	1		
08-29704T-PAN	ASSY - PACKING	75-2970UR-CC0	POLYFOAM (UR)	C	1		

TB1240 + TCLM13 chassis alignment instruction

Enter factory mode in production line

Simply press the D-mode key on the factory remote handset.

Enter service mode

Press and hold the VOLUME DOWN key tightly on the unit until minimum level and don't release the VOLUMN DOWN key, then press the DISPLAY key on the remote handset three times.

“D” letter on the screen indicated that the factory mode was entered. Now you can use the shortcut key to access the factory menu. All change in factory data will save in EEPROM automatically

Note:

1. You can disable the D-Mode key (on factory remote handset) by change “BIT-0” of “MODE2” to “0”. If the D-Mode key was disabled, you can't enter D-Mode by the D-mode key on the factory remote (but you can still enter service mode). It is suggested to disable the D-Mode key before the set leave the factory.
2. On the factory remote handset, you can find the “BUS OFF” key. It can cut off the I²C control from the CPU to other IC. This is only useful when automatic adjustment of white balance.
3. All system data in menu of “key 7” must keep unchanged when servicing. Otherwise, the set may not work properly.

Setting method:

No	Adjustment Items	Data Name (default value inside blanket)	Conditions and input signal	Setting method (need enter D-mode)
1	Screen voltage	-----	“IRGB cut off” must set to 80 (all pattern)	<ul style="list-style-type: none"> ● Press “MUTE” key on the remote handset and the screen will become a horizontal line. Then adjust the “screen” VR on the flyback until the horizontal line can just be seen (minimum visible intensity).
2	Focus voltage	-----	Cross hatch pattern.	<ul style="list-style-type: none"> ● Adjust the “focus” VR on the flyback until the screen becomes clear.
3	VCO	-----	Apply an IF signal (see tuner spec. For frequency) to the IF input.	<ul style="list-style-type: none"> ● Monitor the DC voltage at pin 48 of IC201, then adjust T271 until the voltage at pin 48 become 4.62 +/- 0.02 V. ● Press the AFT button on the factory remote and AFT adjustment will be done automatically.

4	Vertical geometry for PAL system (Key 2)	VPOS50 (04) HIGH50 (25) VLIN50 (04) VSC50 (05) OSD50 (20)	Input a PAL cross hatch pattern.	<ul style="list-style-type: none"> ● Adjust VPOS50 for vertical position. ● Adjust HIGH50 for vertical amplitude. ● Adjust VLIN50 for vertical linearity. ● Adjust VSC50 for vertical S-correction ● Adjust OSD50 for OSD position (normally use default value).
5	Vertical geometry for NTSC system (Key 3)	VPOS60 (00) HIGH60 (2E) VLIN60 (05) VSC60 (0A) OSD60 (89)	Input a NTSC cross hatch pattern.	<ul style="list-style-type: none"> ● Adjust VPOS60 for vertical position. ● Adjust HIGH60 for vertical amplitude. ● Adjust VLIN60 for vertical linearity. ● Adjust VSC60 for vertical S-correction ● Adjust OSD60 for OSD position (normally use default value).
6	Horizontal geometry for PAL system (Key 4)	HPOS50 (0D) HSIZE50 (2A) PARA50 (14) TRAP50 (0E) CORN50 (0A) VEHT50 (03) HEHT50 (02)	Input a PAL cross hatch pattern with black and white background.	<ul style="list-style-type: none"> ● Adjust HPOS50 for horizontal position. ● Adjust HSIZE50 for horizontal width. ● Adjust PARA50, TRAP50 and CORN50 until the vertical line at left and right side of the picture become straight. ● VEHT and HENT is for the picture size stability when changing the brightness of the screen. Receive pattern of cross hatch with black background and then change to white background, then compare the vertical and horizontal size between black and white background. Adjust VEHT and HEHT until you get the minimum difference of screen size. After you adjust VEHT and HEHT, you must re-adjust vertical and horizontal amplitude.
7	Horizontal geometry for NTSC system (Key 5)	HPOS60 (11) HSIZE60 (2A) PARA60 (18) TRAP60 (0D) CORN60 (0D) VEHT60 (03) HEHT60 (02)	Input a NTSC cross hatch pattern with black and white background.	<ul style="list-style-type: none"> ● Adjust HPOS60 for horizontal position. ● Adjust HSIZE60 for horizontal width. ● Adjust PARA60, TRAP60 and CORN60 until the vertical line at left and right side of the picture become straight. ● Adjust VEHT and HEHT using same method of PAL system. Also need re-adjustment of vertical and horizontal amplitude.
1 2	Key 6 (Status adjustment)	RFAGC (25) PIFAFT (44) HAFC (00) S-B-Y (08) S-R-Y (08) VOL 05 (48) VOL 25 (65) VOL OUT(73)	Receive a 60dB grey scale + color bar signal	<ul style="list-style-type: none"> ● RFAGC – monitor the voltage at AGC pin of the tuner. Then increase the setting of RFAGC until the tuner AGC voltage reach maximum (about 5V). Then decrease the RFAGC setting until the AGC voltage just drop. ● Adjust S-B-Y and S-R-Y to get the optimal color for SECAM system. ● Please keep the PIFAFT value after auto AFT adjustment. ● HAFC item must use the default value.

	(curve of volume control)		-----	<ul style="list-style-type: none"> ● VOL05 is the volume output level at 5% ● VOL25 is the volume output level at 25% <p>Remark: The value of VOL05 and VOL25 was not suggested to vary in every set. It is suggested to use the default value.</p>
13	White balance adjustment (key 1)	R CUT (6B) G CUT (9E) B CUT (7C) G DRV (39) B DRV (35)	Black and white pattern (PAL)	<ol style="list-style-type: none"> 1. Measure the dark side of the picture with a color analyzer and set RCUT to 80. Then adjust BCUT and GCUT until the data on the analyzer become x = 284, y = 299. 2. Measure the bright side of the picture, Then adjust BDRV and GDRV until the data on the analyzer become x = 284, y = 299. 3. Repeat step 1 and 2 until you get right color on both dark and bright side of the screen.

Other adjustment (default value was suggested, except BRTC)

8	Key 0	OSD (0A) TXCX (30) RGCN (20) TNTX (25) TNTN (32) FM MODE (13) DKFMMD (20)	-----	<p>OSD – OSD position TXCX – OSD intensity when maximum contrast RGCN – OSD intensity when minimum contrast TNTX – maximum tint level TNTN – minimum tint level FM MODE – frequency shift for FM (mono) mode, only useful for NICAM model DKFMMD - frequency shift for DK NICAM mode</p>
9	Key 8	SCNT (0F) CNTX (3F) CNTN (00) BRTX (20) BRTN (25) COLX (35) COLN (00)	-----	<p>SCNT – sub contrast for luminance signal CNTX – maximum contrast CNTN – minimum contrast BRTX – maximum brightness BRTN – minimum brightness COLX – maximum color COLN – minimum color</p>
10	Key 9	CNTC (22) BRTC (37) COLC (50) TNTC (35) COLP (00) COLS (54) BRTS (00)	-----	<p>CNTC – 50% contrast BRTC – 50% brightness COLC – 50% color TNTC – 50% tint COLP – color level for PAL COLS – color level for SECAM BRTS – sub brightness for SECAM</p> <ul style="list-style-type: none"> ● For the adjustment of BRTC, receive an 8 step grey scale pattern and adjust all picture settings to 50%. Then adjust BRTC until the first and second step on the screen can just be distinguished.

11	Two digit key -/-- (sharpness adjustment)	SHPTV3 (1A) SHPAV3 (1A) SHPTV4 (18) SHPAV4 (18) SHPX (1A) SHPN (1F)	-----	SHPTV3 – 50% sharpness in 3.58 system (TV) SHPAV3 – 50% sharpness in 3.58 system (AV) SHPTV4 – 50% sharpness in 4.43 system (TV) SHPAV4 – 50% sharpness in 4.43 system (AV) SHPX – maximum sharpness SHPN – minimum sharpness
13	KEY CALL	DBE STR 50 DBE HMC 0D DBE HP 07 DBE LP 00 DBE LIM FO SUB FRE 15 SUB HP 02 VOLMAI 03	Richly Music Signal	Effect Strength Harmonic Content High Pass Corner Frequency Low Pass Corner Frequency Amplitude Limit Subwoofer Corner Frequency Subwoofer Complementary High Pass Filter Volume Loudspeaker

System data:

	Item	Adjust item	Default value
12	Key 7	VCDM0 VCDM1 VCDM2 MODE0 MODE1 MODE2 OPTION	It is subject to the current ODF. Please check the sample to get the value.

System setting of M13

VCDM0 (default value: 28)

BIT	Item
0	System switch: 0 : normal identify mode 1 : weak signal identify mode
1	White peak suppress: 0: on 1: off
2,3	ABL gain 00: -0.74v 01: -0.64v 10: -0.37v 11: -0.12v
4,5	ABL start point 00: -0.01v 01: -0.11v 10: -0.3v 11: -0.45v
6	CW-SW: TB1238N, pin 29 Fsc CW output 0 : AUTO, 1 : 4.43M
7	In force system mode, the status of color killer when weak signal 0: on 1: off

VCDM1 (default value: 00)

BIT	Item
0	Blanking: 0: on 1: off
1,2,3,4,5	V-Mute timing: = 200ms + 8ms ×Data
6	Base band filter in NTSC system: 0: on, 1: off
7	VMOD

VCDM2 (default value: 40 for 38MHz IF, 30 for 38.9MHz IF)

BIT	Item
0	AFT-mute: 0: off, 1: on (brightness off)
1	SECAM-ADJ: 0: SECAM correction off, 1: SECAM correction on
2	TB1238N_VMOD
3	PIF VCO ADJ
6,5,4	IF frequency: 111: 33.9MHz 110: 33.95MHz 101: 34.47MHz 100: 38MHz 011: 38.9MHz 010: 39.5MHz 001: 45.75MHz 000: 58.75MHz
7	No use

MODE0

BIT	Item
0	0: normal AV 1: SCART (CATV)
1	SRS: 0: OFF 1: ON
2	SECAM system: 0: off, 1: on
3	High Sensibility: 0: off 1: on
4, 5	STANDBY status after switch on : 00 or 10: force STANDBY 01: force on. 11: status before switch off
6,7	Mode0.6, Mode0.7: 0X: English 10: English + Russia 11: English + Vietnamese

MODE1

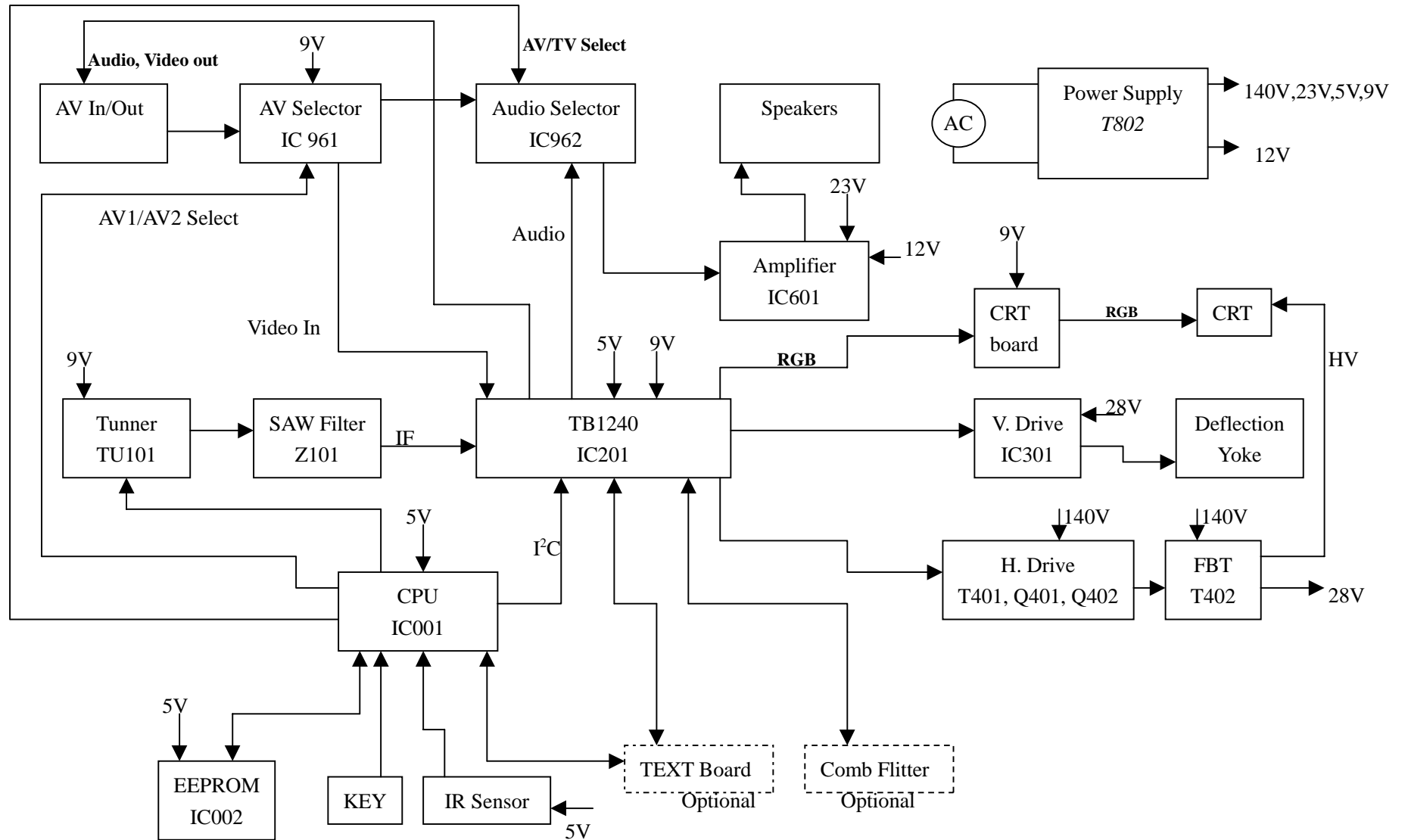
BIT	Item
0	BG : 0 : off 1 : on
1	I : 0 : off 1 : on
2	DK : 0 : off 1 : on
3	M : 0 : off 1 : on
4, 5	SSIF1, SSIFO Default sound system after auto search: 00 : BG 01 : I 10 : DK 11 : M
6	AV/TV: 0: TV/AV 1: TV AV1/AV2
7	Number of channels: 0: 50 1: 100

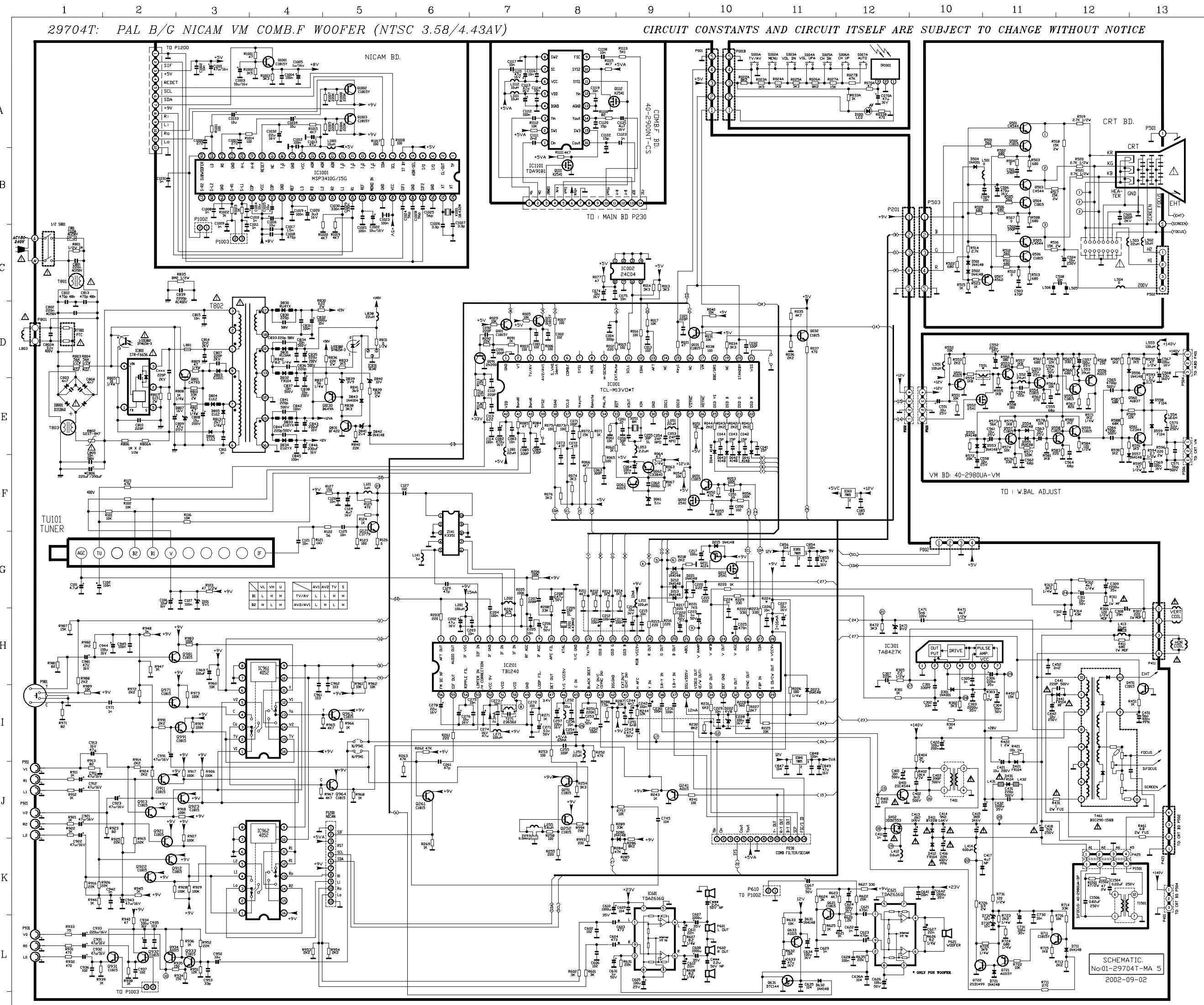
MODE2

BIT	Item
0	D-MODE : 0: off 1: on
1	Teletext 0: off 1: on
2	COMB Filter 0: off 1: on
3	BBE 0: off 1: on
4	NICAM & IGR 0: off 1: on
5	WOOFER 0: off 1: on
6	DBE 0: off 1: on
7	VM 0: off 1: on

OPTION (default value: 10)

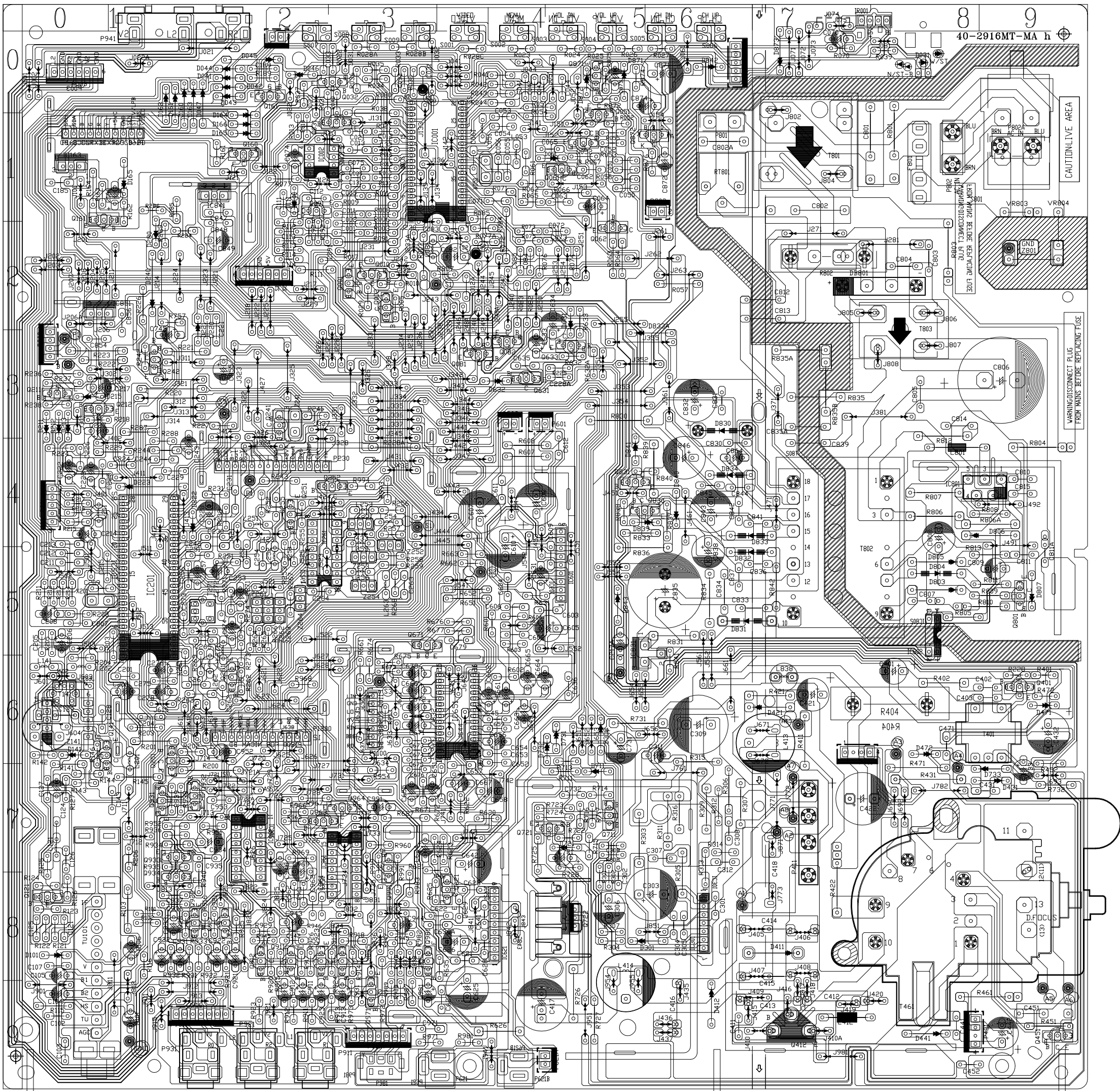
BIT	Item	
0	When blue background off (mute pin of CPU): 0: audio mute on 1: audio mute off	
1	When blue background off (external mute pin of CPU): 0: audio mute on 1: audio mute off	
2	When change channel: 0: picture mute on 1: picture mute off	
3	Audio demodulation gain setting: 0: 50KHz 1: 25KHz	
4	When no signal: 0: search channel by changing VT 1: use memorized VT	
5	Logo: 0: off 1: on	
6	OSD black background: 0: off 1: on	
7	Display on Sound Mode Changing: 0: on 1: off	





A
B
C
D
E
F
G
H
I
J
K
L

SCHEMATIC
No:01-29704T-MA 5
2002-09-02



40-2916MT-MA h

CAUTION/LIVE AREA

WARNING/DISCONNECT PLUG FROM MAINS BEFORE REPLACING FUSE